



36" ELECTRIC RESTAURANT RANGE

36" Griddle



Model EV36S-36G shown with optional casters



SPECIFIER STATEMENT

36" wide electric restaurant range, Vulcan Model No. EV36S-36G208. Fully MIG welded aluminized steel frame for added durability. Stainless steel front, sides, back riser, plate shelf and 6" adjustable legs. 36" wide, 7/8" thick griddle plate. One thermostat provided for each 12" griddle width. Full width pull out crumb tray located beneath the cooking top. Comes with one standard oversized oven. Oven interior measures 26 1/2"W x 26 3/8"D x 14"H. Comes with one oven rack and three rack positions. Oven door is heavy duty with an integrated door hinge / spring mechanism, requiring no adjustments. Top browning heat control. Thermostat adjusts from 200°F to 500°F. Oven controls are protected from heat in an insulated side compartment. Requires 208, 240 or 480 volt, 1 or 3 phase power supply. All ranges shipped in 3 phase and are field convertible to single phase.

Exterior Dimensions:

34 3/4"D x 36"W x 58"H on 6" adjustable legs

Project _____

AIA # _____ SIS # _____

Item # _____ Quantity _____ C.S.I. Section 114000

MODELS

- EV36S-36G208** 36" Griddle / Standard Oversized Oven / 208V
- EV36S-36G240** 36" Griddle / Standard Oversized Oven / 240V
- EV36S-36G480** 36" Griddle / Standard Oversized Oven / 480V

STANDARD FEATURES

- Fully MIG welded aluminized steel frame for added durability
- Stainless steel front, sides, back riser, shelf and legs
- Full width pull out crumb tray
- 36" wide, 7/8" thick griddle plate, one thermostat provided for every 12" griddle width
- 5 kW oven with top browning control
- Thermostat adjusts from 200°F to 500°F
- Cool to the touch control knobs and oven handle
- One oven rack and three rack positions
- 18" x 26" sheet pans fit side to side and front to back
- Requires 208, 240 or 480 volt, 1 or 3 phase power supply. (Ranges shipped in 3 phase and are field convertible to single phase)
- One year limited parts and labor warranty

ACCESSORIES (PACKAGED AND SOLD SEPARATELY)

- Extra oven rack with two rack guides
- Set of four casters (two locking)
- 10" stainless steel stub back
- ESB36 salamander broiler
- Reinforced high shelf for ESB36 salamander broiler

ELECTRIC RESTAURANT RANGE – 36" Griddle

Approved by _____ Date _____ Approved by _____ Date _____



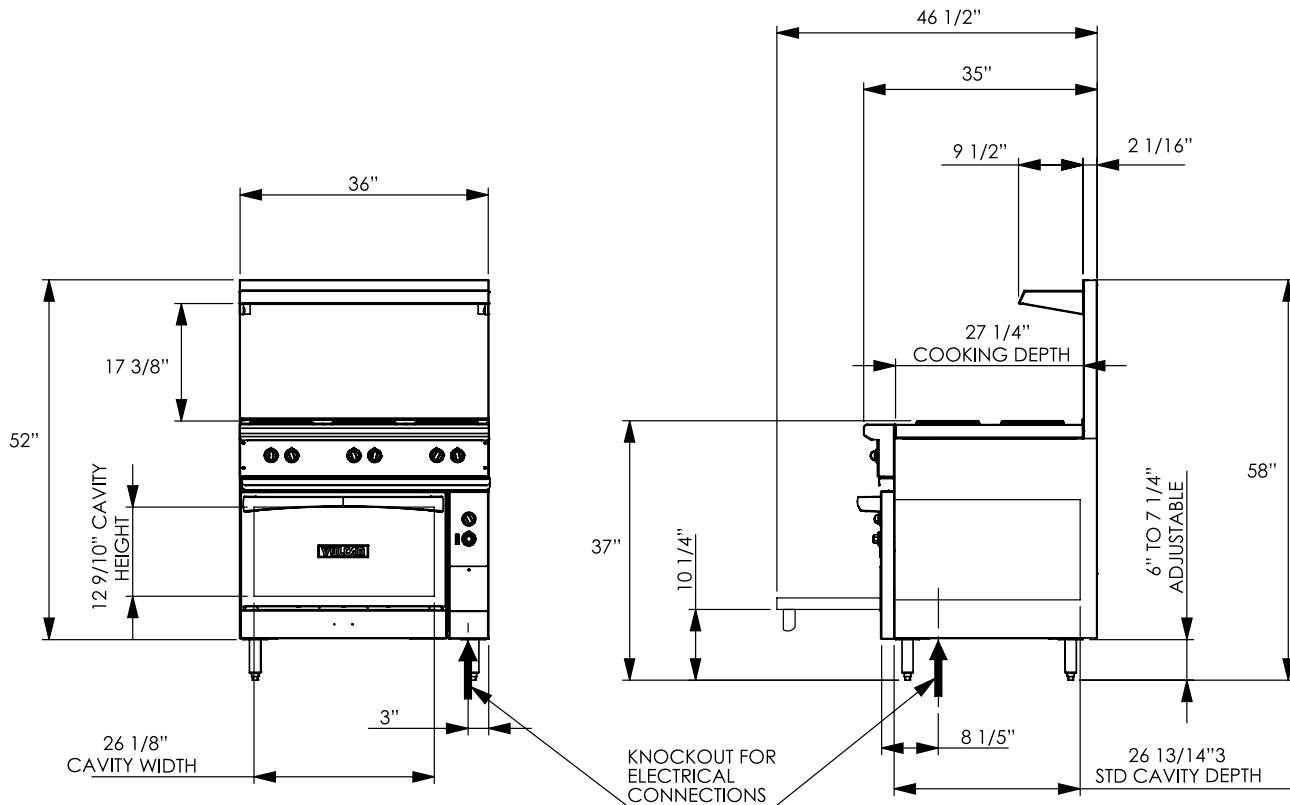
36" ELECTRIC RESTAURANT RANGE

36" Griddle

INSTALLATION INSTRUCTIONS

<u>Clearances from Combustible Construction</u>	<u>Rear</u>	<u>Sides</u>
Range Only	0"	0"
Range and ESB Salamander Broiler	2"	8"

Clearance Note: Electric Ranges are 0 inches, sides and 0 inches rear from combustible and non-combustible constructions *except when hot top sections are incorporated*. Ranges incorporating hot top sections are 0 inches sides and 0 inches rear to non-combustibles and 6 inches sides and 6 inches rear to combustible constructions.



AVAILABLE VOLTAGES - 208, 240 OR 408 VOLT - 1 OR 3 PHASE																
3 PHASE LOADING					NOMINAL AMPS PER LINE WIRE											
MODEL NUMBER	TOTAL CONNECTING KW	KW PER PHASE			3 PHASE									1 PHASE		
					208 VOLT			240 VOLT			480 VOLT			1 PHASE		
		X-Y	Y-Z	X-Z	X	Y	Z	X	Y	Z	X	Y	Z	208V	240V	480V
EV36S-36G208	15.2	3.4	6.8	5.0	35.0	42.5	49.1	--	--	--	--	--	--	73.1	--	--
EV36S-36G240	15.2	3.4	6.8	5.0	--	--	--	30.3	36.8	42.6	--	--	--	--	63.3	--
EV36S-36G480	15.2	3.4	6.8	5.0	--	--	--	--	--	--	15.15	18.4	21.3	--	--	31.7

This appliance is manufactured for commercial use only and is not intended for home use.

As continued product improvement is a policy of Vulcan, specifications are subject to change without notice.