

# VULCAN

## CATALOG OF REPLACEMENT PARTS

### GAS CONVECTION OVENS

#### MODELS

ML-126610      SG4  
ML-126612      SG6



For additional information on Vulcan or to locate an authorized parts and service provider in your area, visit our website at [www.vulcanequipment.com](http://www.vulcanequipment.com)

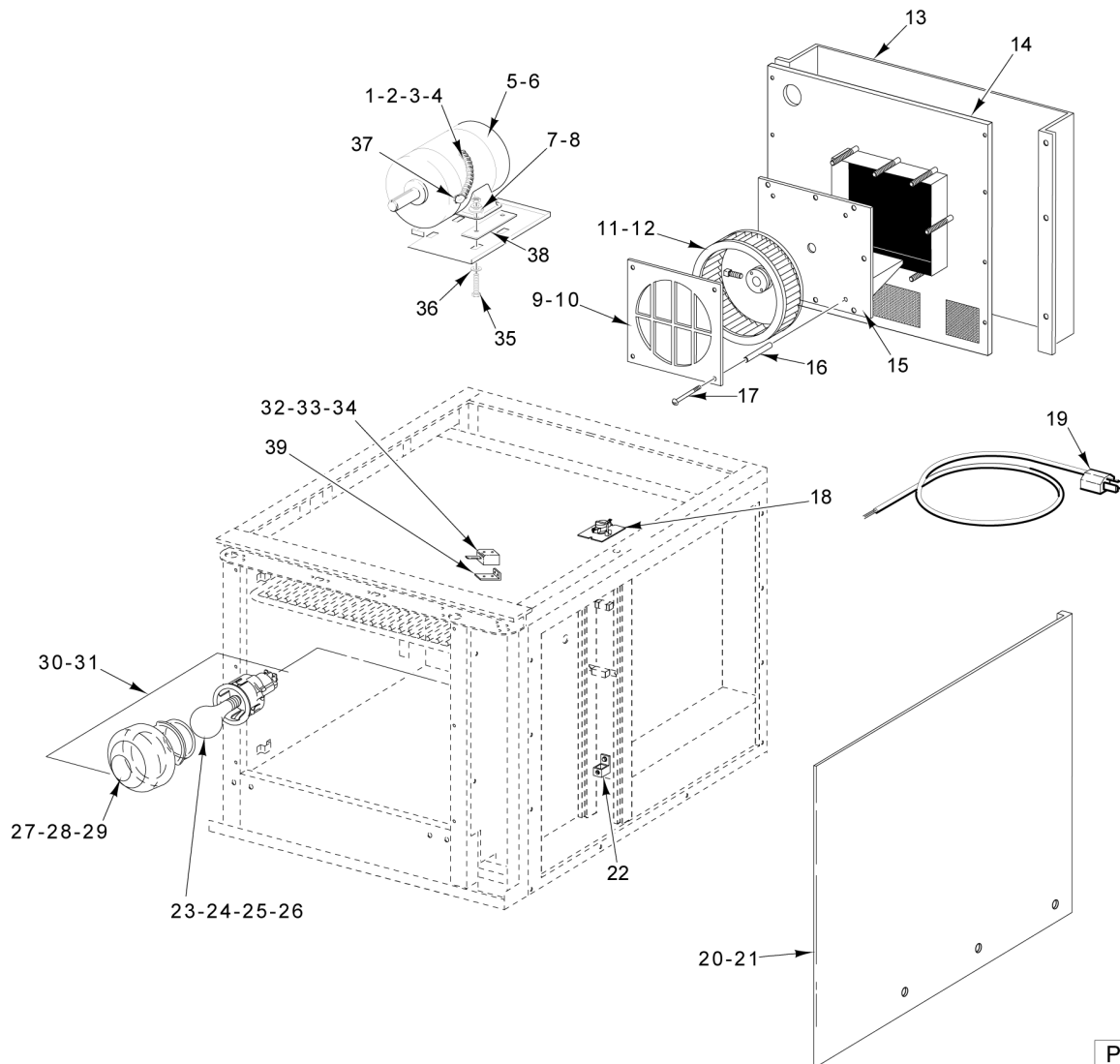


### **Table of Contents**

5	OVEN PANELS & MOTOR (PREVIOUS CONSTRUCTION BEFORE 3/18/2019)
7	OVEN PANELS (CURRENT CONSTRUCTION)
9	OVEN PANELS AND RACK SUPPORTS (PREVIOUS CONSTRUCTION)
11	OVEN PANELS AND RACK SUPPORTS (CURRENT CONSTRUCTION)
13	CONVECTION MOTOR (BEFORE S/N 482046974)
15	CONVECTION MOTOR (STARTING S/N 482046974)
17	DOOR ASSEMBLY (PREVIOUS CONSTRUCTION)
19	DOOR ASSEMBLY (CURRENT CONSTRUCTION)
21	GAS PIPING AND FLAME CHAMBER
23	ELECTRICAL COMPONENT PANEL
25	CONTROL PANEL

40	00-427617-00001	Flue - Deflector	48	00-343634-00002	Caster
41	00-959663-00001	Tube - Snorkel Assy.	49	00-357047-00001	Caster - Swivel
42	00-402558-00004	Clip - Bulb	50	00-357047-00002	Caster - Swivel
43	00-424172-00001	Leg - Set (PTD)	51	00-417063-00001	Strap
44	00-424172-00002	Leg - Set (SST)	52	00-357093-00001	Ring - Locking
45	00-424174-00001	Leg - Set	53	00-288946-00002	Foot
46	00-342150-00005	Leg (For Double Stack)	54	SC-113-76	Screw
47	00-343634-00001	Caster	55	00-425428-00001	Foot (Adjustable)

**PARTS NOT ILLUSTRATED**



PL-61426

**OVEN PANELS & MOTOR  
(PREVIOUS CONSTRUCTION BEFORE 3/18/2019)**

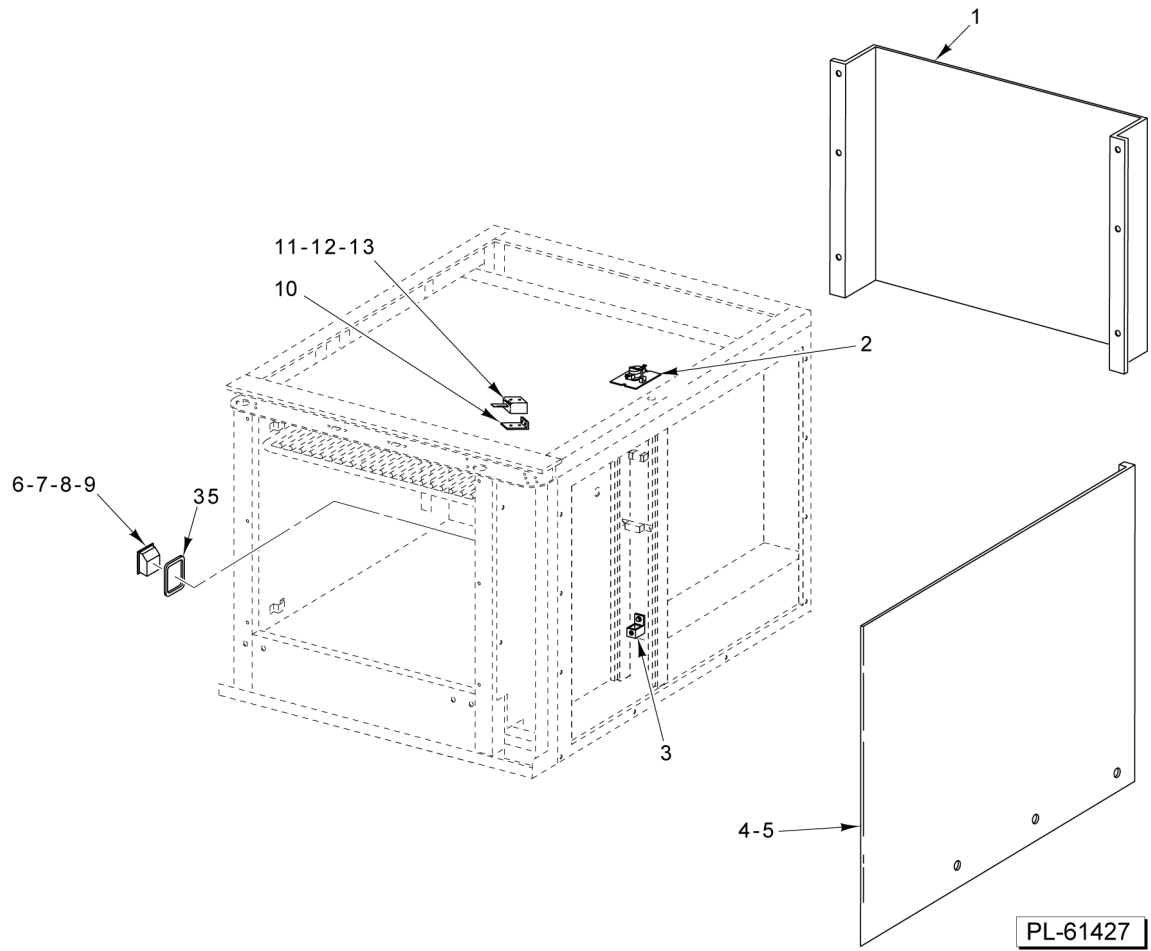
**OVEN PANELS & MOTOR  
(PREVIOUS CONSTRUCTION BEFORE 3/18/2019)**

ILLUS.	PART NO.	NAME OF PART	AMT.
PL-61426			
1	FE-006-05	Lock Nut 1/2 .....	1
2	00-414540-00B35	Conduit 3/8 x 35 In. Lg.....	1
3	00-342285-00001	Bushing - Plastic.....	2
4	FE-002-03	Connector - Conduit 3/8 TS Straight.....	1
5	00-358516-00001	Motor 1/2 Hp. (2-Speed) (115 V., 50/60 Hz., 1 Ph.).....	1
6	00-358516-00002	Motor 1/2 Hp. (2-Speed) (208-240 V., 50/60 Hz., 1 Ph.).....	1
7	WS-029-46	Washer.....	4
8	NS-046-86	Nut Assy. 5/16-18 KEPS Hex.....	4
9	00-411136-00003	Cover - Fan (50 Hz.).....	1
10	00-411136-00004	Cover - Fan (60 Hz.).....	1
11	00-415780-00003	Wheel - Blower (60 Hz.).....	1
12	00-415780-00005	Wheel - Blower (50 Hz.).....	1
13	00-424840-00002	Panel - Back (SST) (Optional).....	1
14	00-426839-000G1	Panel Assy. - Back.....	1
15	00-423289-000G1	Motor Mount.....	1
16	00-411289-00004	Spacer - Fan Housing.....	4
17	SC-120-15	Mach. Screw 1/4-20 x 4 Rd. Hd.....	4
18	00-958827-000G3	Kit - Oven Limit Assy.....	1
19	00-405016-00001	Cord - Electric Supply (120 V. Only).....	1
20	00-424140-00002	Panel - Outer (RH) (SST).....	1
21	00-424228-00002	Panel - Outer (RH) (SST).....	1
22	00-417856-00001	Lug - Grounding (With Set Screw).....	1
23	01-1000V7-00028	Bulb.....	1
24	01-1000V7-00053	Lamp - Oven (Complete) (Lens, Base, & Bulb).....	1
25	00-342766-00002	Light Bulb - Oven (40 Watts) (240 V.).....	1
26	00-913102-00032	Kit - Lamp & Housing (250 V.).....	1
27	00-423832-00001	Cover - Lamp Electrical.....	2
28	01-1000V7-00054	Bulb - Halogen G9 Base.....	1
29	00-357036-00003	Lens - Lamp.....	1
30	00-357036-00001	Oven Lamp (40 Watts) (120-130 V.).....	2
31	00-913102-00032	Kit - Lamp & Housing (250 V.).....	2
32	00-411496-000F1	Switch - Micro.....	1
33	00-499310-000G1	Micro Switch Kit.....	1
34	SD-034-47	Self-Tapping Screw 6-32 x 1 Slotted. Hex Washer Hd., Type T.....	2
35	SC-113-65	Cap Screw 5/16-18 x 1-1/4 Hex Hd.....	4
36	WS-029-46	Washer.....	4
37	FE-002-52	Connector - Conduit 3/8 TS 90 Degree.....	1
38	00-358723-00001	Spacer - Steel.....	2
39	00-425324-00001	Bracket - Door Switch.....	1
40	00-427617-00001	Flue - Deflector.....	1
41	00-959663-00001	Tube - Snorkel.....	1
42	00-402558-00004	Clip - Tubing.....	2
*43	00-424172-00001	Leg - Set (25-3/4 In.) (PTD).....	1
*44	00-424172-00002	Leg - Set (25-3/4 In.) (SST).....	1
45	00-424174-00001	Leg - Set.....	4
46	00-342150-00005	Leg (8 In.).....	4
47	00-343634-00001	Caster (Swivel With Brake) (7.5 In.).....	2
48	00-343634-00002	Caster (Rigid) (7.5 In.).....	2
49	00-357047-00001	Caster - Swivel (Without Brake).....	2
50	00-357047-00002	Caster - Swivel (With Brake).....	2
51	00-417063-00001	Strap - Tie Down.....	4
52	00-357093-00001	Ring - Locking.....	4
53	00-288946-00002	Foot - Adjustable (1-5/8) (SST).....	4
54	SC-113-76	Cap Screw 1/4-20 x 1 Hex Hd.....	AR
55	00-425428-00001	Foot - Adjustable.....	4

\* No Longer Available

14	00-427617-00001	Flue - Deflector	25	00-417063-00001	Strap
15	00-959663-00001	Tube - Snorkel Assy.	26	00-357093-00001	Ring - Locking
16	00-402558-00004	Clip - Bulb	27	00-288946-00002	Foot
17	00-424172-00001	Leg - Set (PTD)	28	SC-113-76	Screw
18	00-424172-00002	Leg - Set (SST)	29	00-425428-00001	Foot (Adjustable)
19	00-424157-000G7	Leg (PTD)	30	00-427617-00001	Flue - Deflector
20	00-342150-00005	Leg (For Double Stack)	31	00-959663-00001	Tube - Snorkel
21	00-343634-00001	Caster	32	00-958827-000G1	Thermostat
22	00-343634-00002	Caster	33	00-499302-00001	Panel - Side
23	00-357047-00001	Caster - Swivel	34	00-499303-00001	Panel - Side
24	00-357047-00002	Caster - Swivel			

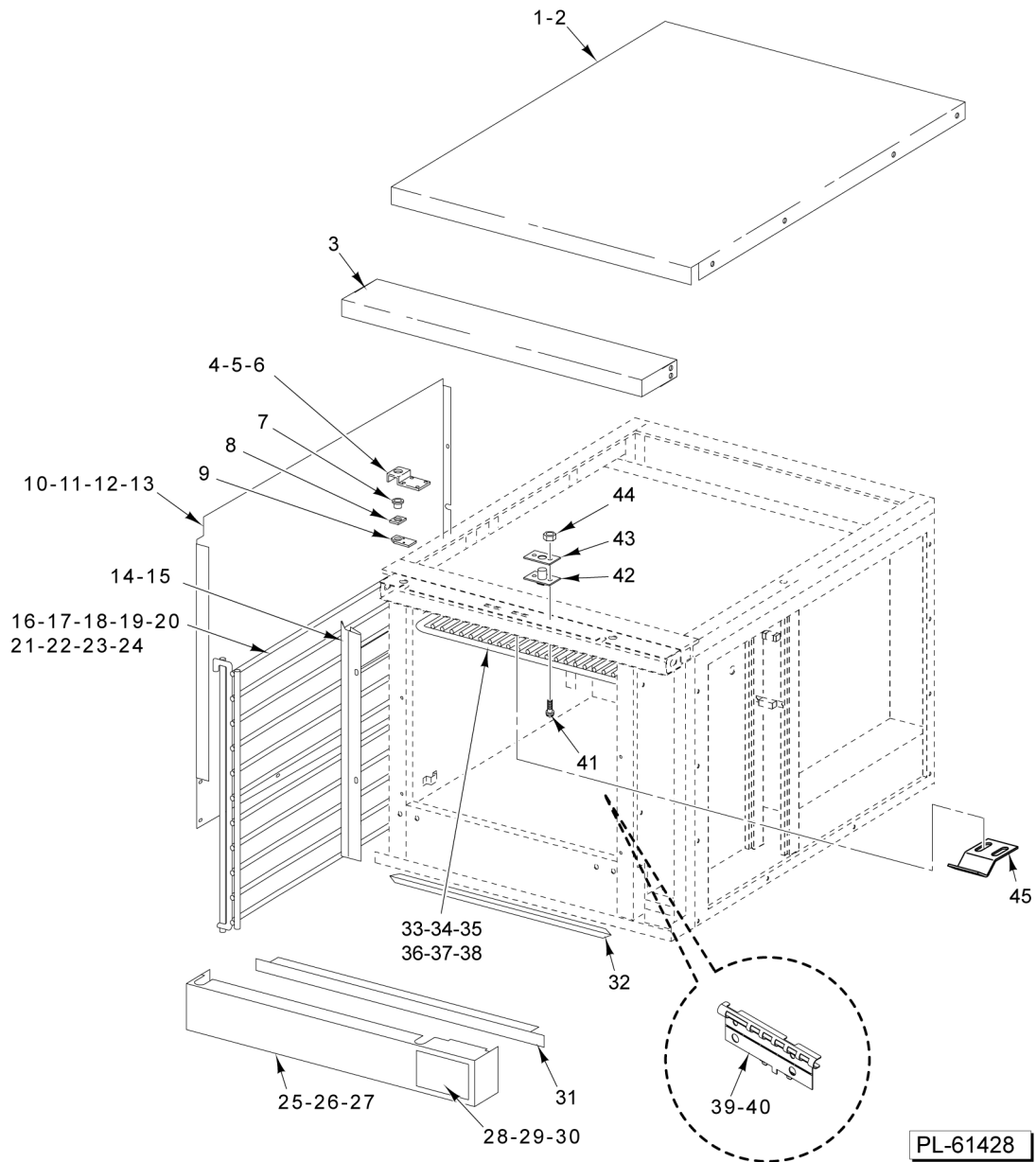
**PARTS NOT ILLUSTRATED**



**OVEN PANELS  
(CURRENT CONSTRUCTION)**

**OVEN PANELS  
(CURRENT CONSTRUCTION)**

ILLUS. PL-61427	PART NO.	NAME OF PART	AMT.
1	00-424840-00002	Panel - Back (SST) (Optional).....	1
2	00-958827-000G3	Kit - Oven Limit Assy.....	1
3	00-417856-00001	Lug - Grounding (With Set Screw).....	1
4	00-424140-00002	Panel - Outer (RH) (SST) (VC4G).....	1
5	00-424228-00002	Panel - Outer (RH) (SST) (VC6G).....	1
6	00-960194-00001	Oven Lamp (40W) (120 V.).....	2
7	00-961766-00001	Oven Lamp (40W) (240 V.).....	2
8	00-961291-00001	Bulb - Halogen (120 V.).....	AR
9	00-961291-00002	Bulb - Halogen (230V) (240 V.).....	AR
10	00-425324-00001	Bracket - Door Switch.....	1
11	00-411496-000F1	Switch - Micro (Door).....	1
12	00-499310-000G1	Micro Switch Kit (Incls. Items 10, 11 & 13).....	1
13	SD-034-47	Self-Tapping Screw 6-32 x 1 Slotted. Hex Washer Hd., Type T.....	2
14	00-427617-00001	Flue - Deflector.....	1
15	00-959663-00001	Tube - Snorkel.....	1
16	00-402558-00004	Clip - Tubing.....	2
17	00-424172-00001	Leg - Set (25-3/4 In.) (PTD).....	1
18	00-424172-00002	Leg - Set (25-3/4 In.) (SST).....	1
19	00-424157-000G7	Leg Assembly for Caster and Foot (Painted Black).....	4
20	00-342150-00005	Leg (8 In.) (Double Stack).....	4
21	00-343634-00001	Caster (Swivel With Brake) (7.5 In.) (Double Stack).....	2
22	00-343634-00002	Caster (Rigid) (7.5 In.) (Double Stack).....	2
23	00-357047-00001	Caster - Swivel (Without Brake).....	2
24	00-357047-00002	Caster - Swivel (With Brake).....	2
25	00-417063-00001	Strap - Tie Down.....	4
26	00-357093-00001	Ring - Locking (Use with Item 19).....	4
27	00-288946-00002	Foot - Adjustable (1-5/8) (SST) (Use with Item 19).....	4
28	SC-113-76	Cap Screw 1/4-20 x 1 Hex Hd. (Use with legs).....	AR
29	00-425428-00001	Foot - Adjustable (Use with Item 20).....	4
30	00-427617-00001	Flue - Deflector.....	1
31	00-959663-00001	Tube - Snorkel.....	1
32	00-958827-000G1	Thermostat (High Limit) (With Mounting Plate).....	1
33	00-499302-00001	Side - Left Body.....	1
34	00-499303-00001	Side - Left Body.....	1
35	00-962843-000G1	Kit - Oven Light Gaskets.....	2

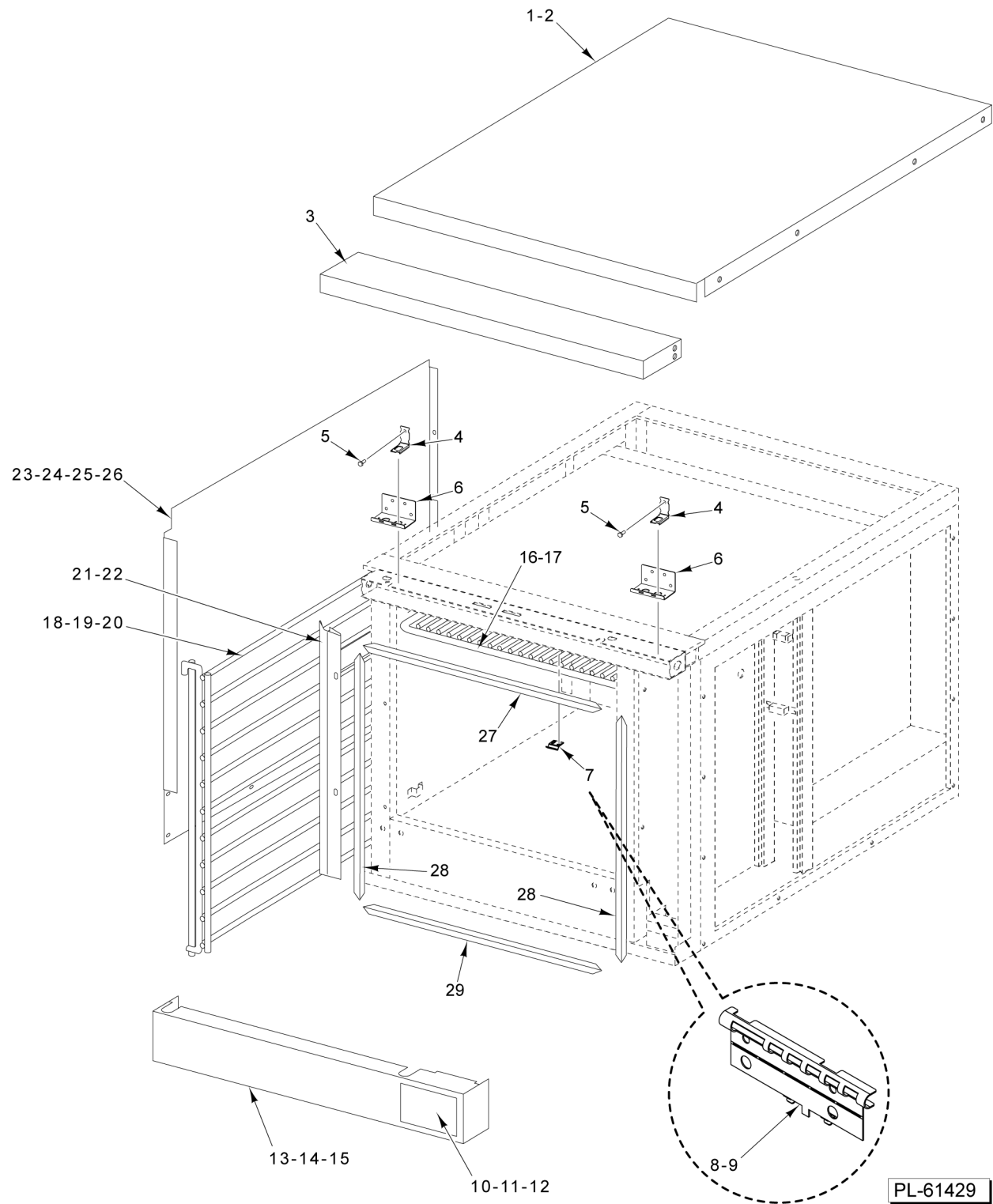


**OVEN PANELS AND RACK SUPPORTS  
(PREVIOUS CONSTRUCTION)**



**OVEN PANELS AND RACK SUPPORTS  
(PREVIOUS CONSTRUCTION)**

ILLUS. PL-61428	PART NO.	NAME OF PART	AMT.
1	00-424141-00002	Top (SST).....	1
2	00-424229-00002	Top (SST).....	1
3	00-421799-00001	Top - Front.....	1
4	00-353484-00001	Plate - Retainer.....	2
5	SC-053-41	Mach. Screw 1/4-20 x 1/2 Slotted Truss Hd. (SST).....	4
6	NS-038-08	Lock Nut 1/4-20 Flange.....	4
7	00-347080-00002	Bearing - Door Shaft.....	2
8	00-353482-00001	Spacer.....	2
9	00-353483-00001	Plate - Upper Door Bearing.....	2
10	00-424142-00002	Panel - Outer (SST) (LH).....	1
11	00-424230-00002	Panel - Outer (SST) (LH).....	1
12	00-499302-00001	Side - Left Body.....	1
13	00-499303-00001	Side - Left Body.....	1
14	00-357919-00001	Kit - Door Seal.....	1
15	00-423842-000G1	Seal - Vertical Door (Set) (LH & RH).....	1
16	00-428104-00001	Guide - Rack (LH).....	1
17	00-428104-00002	Guide - Rack (RH).....	1
18	00-428104-00003	Guide - Rack (LH).....	1
19	00-428104-00004	Guide - Rack (RH).....	1
20	00-342141-00001	Rack - Support (LH).....	1
21	00-342141-00002	Rack - Support (RH).....	1
22	00-424833-00001	Rack - Support (LH).....	1
23	00-424833-00002	Rack - Support (RH).....	1
24	00-959456-00001	Support - Rack Guide (LH & RH).....	2
25	00-423766-000G1	Trim - Bottom W/Access Door Assy.....	1
26	00-421797-00002	Trim - Bottom.....	1
27	00-499261-00002	Trim - Bottom W/O Access Door Assy.....	1
28	00-423758-00001	Door - Access Trim.....	1
29	00-499297-00001	Door - Lower Access Trim.....	1
30	00-425199-00001	Fastener - Nylon (Push-In).....	2
31	00-424865-00001	Cover - Trim.....	1
32	00-357507-00001	Seal - Horizontal Door (30-1/2 In. Long) (Top & Bottom).....	2
33	00-411265-00011	Rack Assy.....	AR
34	00-411265-00022	Rack Assy.....	AR
35	00-959523-00001	Rack Assy.....	AR
36	00-411265-00010	Rack Assy.....	AR
37	00-411265-00020	Rack Assy.....	AR
38	00-959523-00002	Rack Assy.....	AR
39	00-959753-00001	Probe Guard & Retainer.....	1
40	SD-032-07	Self-Tapping Screw 10-24 x 1/2 Hex. Hex Washer Hd., Type TT.....	2
41	SC-115-51	Mach. Screw 10-32 x 1/2 Phil. Truss Hd.....	2
42	00-347545-00001	Catch Assy. - Door.....	1
43	00-423848-00001	Shim - Door Strike.....	AR
44	NS-038-03	Lock Nut 10-32 Flange.....	2
45	00-497585-00001	Plate - Strike.....	1

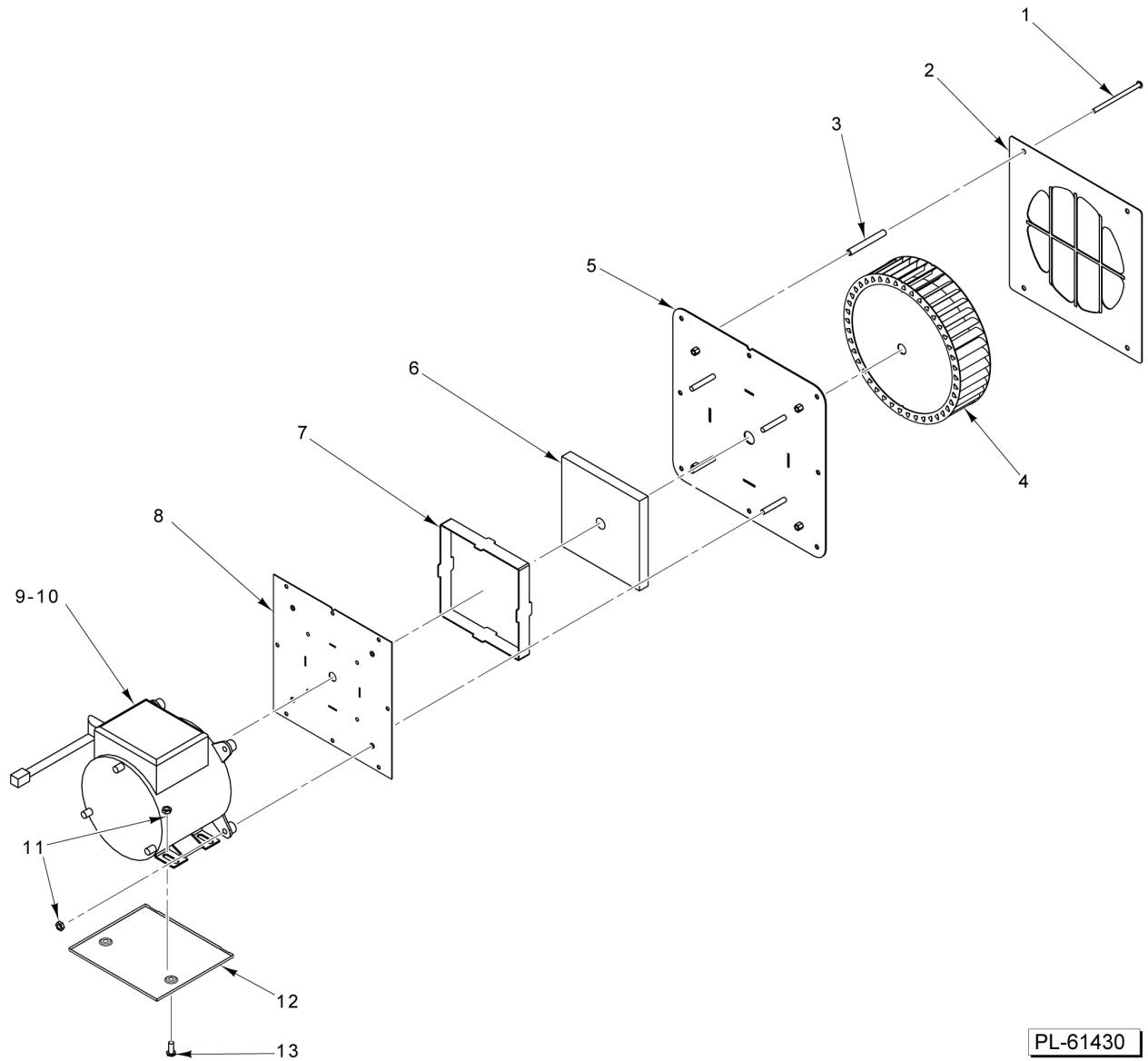


PL-61429

**OVEN PANELS AND RACK SUPPORTS  
(CURRENT CONSTRUCTION)**

**OVEN PANELS AND RACK SUPPORTS  
(CURRENT CONSTRUCTION)**

ILLUS. PL-61429	PART NO.	NAME OF PART	AMT.
1	00-424141-00002	Top (SST).....	1
2	00-424229-00002	Top (SST).....	1
3	00-421799-00001	Top - Front.....	1
4	00-961587-00001	Clip - Hold Down.....	2
5	00-922154	Screw 1/4-20 x 1 Hex Hd.....	9
6	00-961656-00001	Support - Door (Upper).....	2
7	00-497585-00001	Plate - Strike.....	1
8	00-959753-00001	Probe Guard & Retainer.....	1
9	SD-032-07	Self-Tapping Screw 10-24 x 1/2 Hex. Hex Washer Hd., Type TT.....	2
10	00-423758-00001	Door - Access Trim.....	1
11	00-499297-00001	Door - Lower Access Trim.....	1
12	00-425199-00001	Fastener - Nylon (Push-In).....	2
13	00-423766-000G1	Trim - Bottom W/Access Door Assy.....	1
14	00-421797-00002	Trim - Bottom.....	1
15	00-499261-00002	Trim - Bottom W/O Access Door Assy.....	1
16	00-959523-00001	Rack Assy.....	AR
17	00-959523-00002	Rack Assy.....	AR
18	00-959456-00001	Support - Rack Guide (LH & RH).....	2
19	00-961434-00001	Guide - Rack (RH) (SG6).....	AR
20	00-961434-00002	Guide - Rack (LH) (SG6).....	AR
21	00-357919-00001	Kit - Door Seal.....	1
22	00-423842-000G1	Seal - Vertical Door (Set) (LH & RH).....	1
23	00-424142-00002	Panel - Outer (SST) (LH).....	1
24	00-424230-00002	Panel - Outer (SST) (LH).....	1
25	00-499302-00001	Side - Left Body.....	1
26	00-499303-00001	Side - Left Body.....	1
27	00-959770-00001	Seal - Door (Top).....	1
28	00-959771-00001	Seal - Door (Side).....	2
29	00-959772-00001	Seal - Door (Bottom).....	1

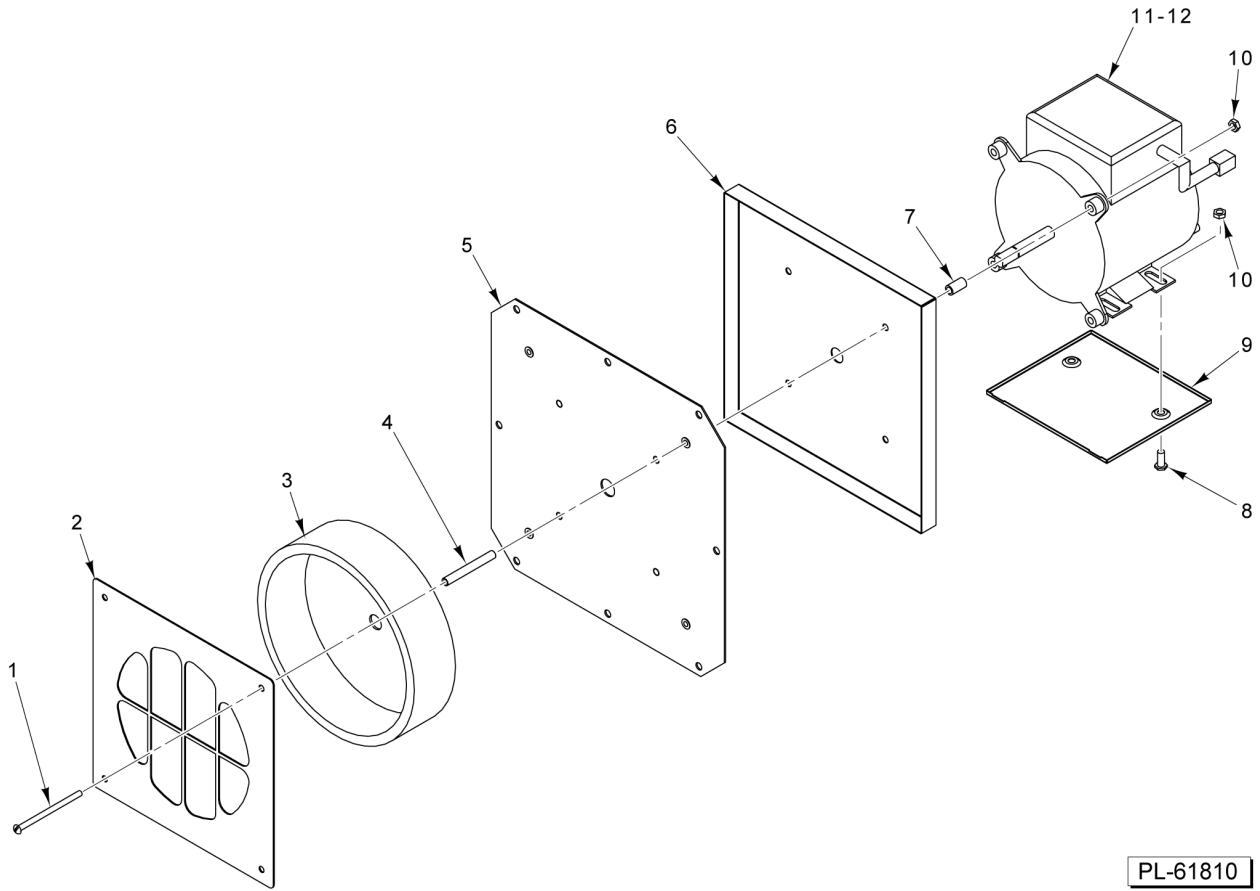


PL-61430

**CONVECTION MOTOR  
(BEFORE S/N 482046974)**

**CONVECTION MOTOR  
(BEFORE S/N 482046974)**

ILLUS.	PART NO.	NAME OF PART	AMT.
PL-61430			
1	SC-120-15	Mach. Screw 1/4-20 x 4 Rd. Hd.....	4
2	00-411136-00004	Cover - Fan.....	1
3	00-411289-00004	Spacer - Fan Housing.....	4
4	00-415780-00003	Wheel - Blower.....	1
5	00-961671-000G1	Mount - Motor (Front).....	1
6	00-342159-00033	Insulation (28 x 33 x 1 In.).....	AR
7	00-960963-00001	Mount - Motor, Wrapper.....	1
8	00-961668-00001	Mount - Motor (Rear).....	1
9	00-961739-000G1	Motor, 120 VAC, 0.5 HP.....	1
10	00-961739-000G2	Motor, 208-240 VAC, 0.5 HP.....	1
11	NS-046-86	Nut Assy. 5/16-18 KEPS Hex.....	6
12	00-961831-00001	Pan - Drip, Motor.....	1
13	SC-037-75	Cap Screw 5/16-18 x 3/4 Hex Hd.....	2



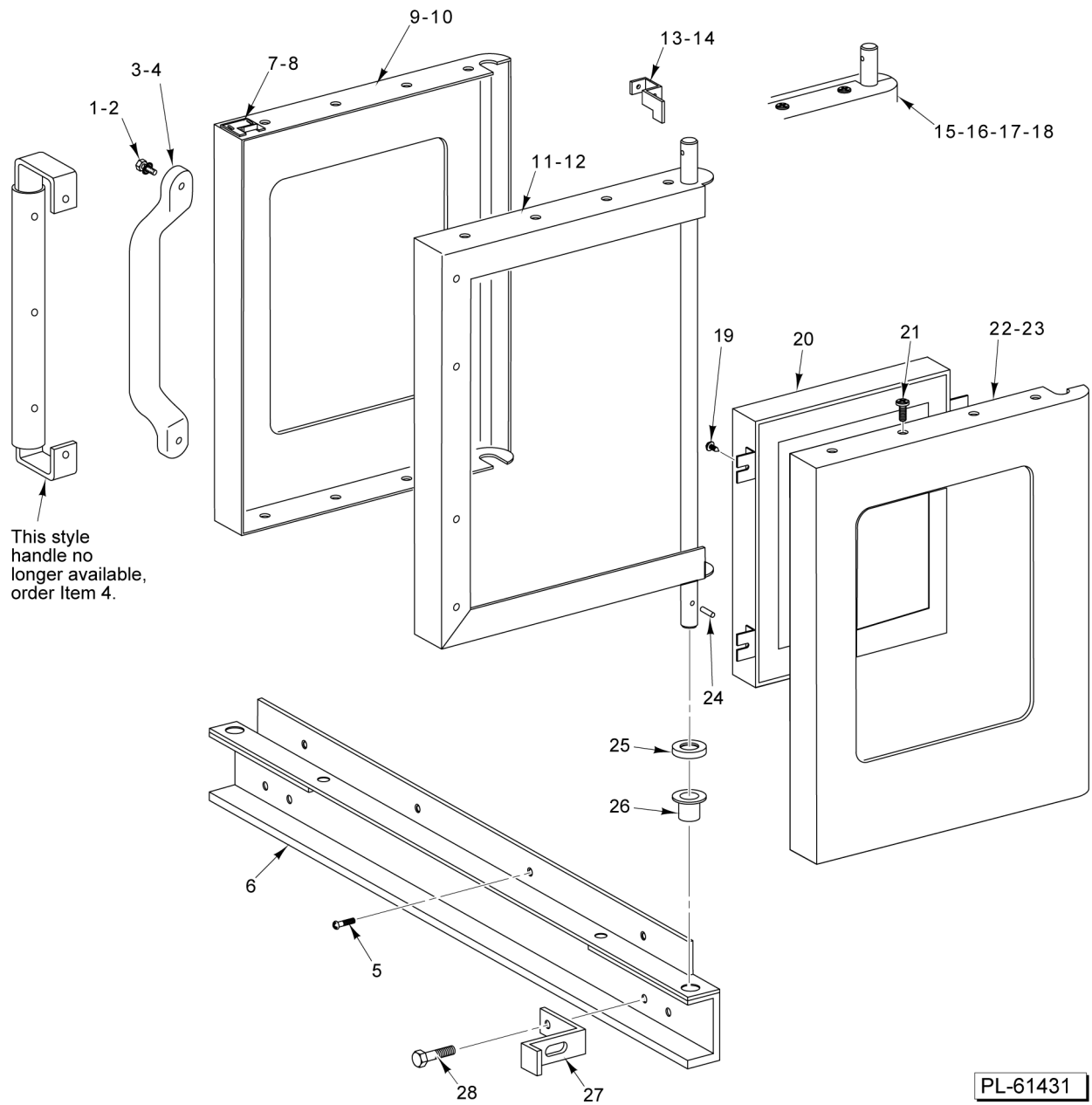
PL-61810

**CONVECTION MOTOR  
(STARTING S/N 482046974)**

**CONVECTION MOTOR  
(STARTING S/N 482046974)**

ILLUS.	PART NO.	NAME OF PART	AMT.
PL-61810			
1	SC-120-15	Mach. Screw 1/4-20 x 4 Rd. Hd.....	4
2	00-411136-00004	Cover - Fan (60 Hz.).....	1
3	00-415780-00003	Wheel - Blower (60 Hz.).....	1
4	00-411289-00001	Spacer - Fan Housing (1/8 Pipe x 27/8).....	4
*5	00-962792-000G1	Motor Mount Assy.....	1
6	00-962791-00001	Plate - Motor Mount.....	1
7	00-962793	Spacer - Motor.....	4
8	SC-037-75	Cap Screw 5/16-18 x 3/4 Hex Hd.....	2
9	00-961831-00001	Pan - Drip, Motor.....	1
10	NS-046-86	Nut Assy. 5/16-18 KEPS Hex.....	6
11	00-961737-000G1	Motor Assy. (120 V.) (60 Hz.).....	1
12	00-961737-000G2	Motor Assy. (240 V.) (60 Hz.).....	1

\* Before S/N 482046975 will need to order 00-962820-000G1 Motor Mount Kit

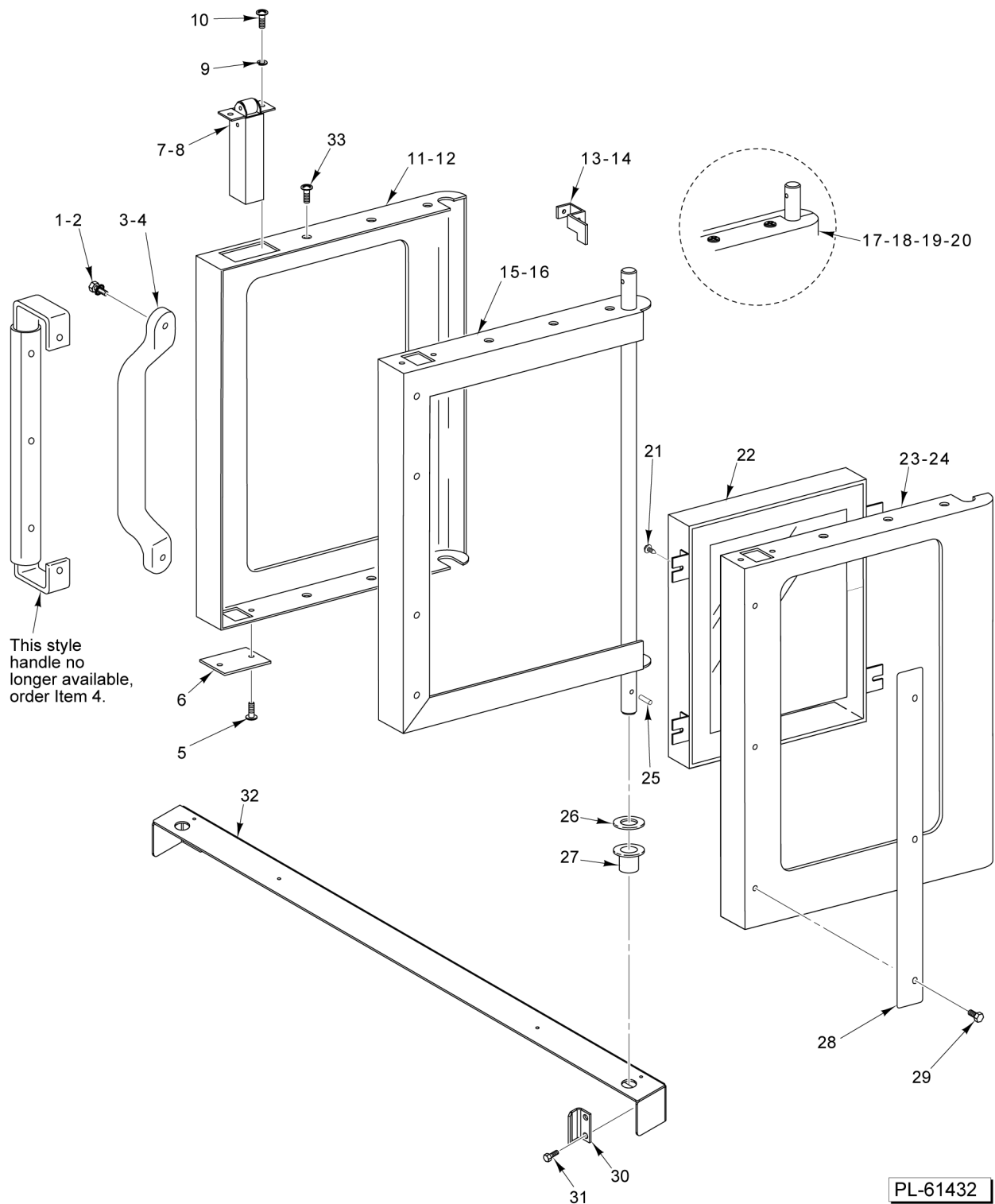


**DOOR ASSEMBLY  
(PREVIOUS CONSTRUCTION)**



**DOOR ASSEMBLY  
(PREVIOUS CONSTRUCTION)**

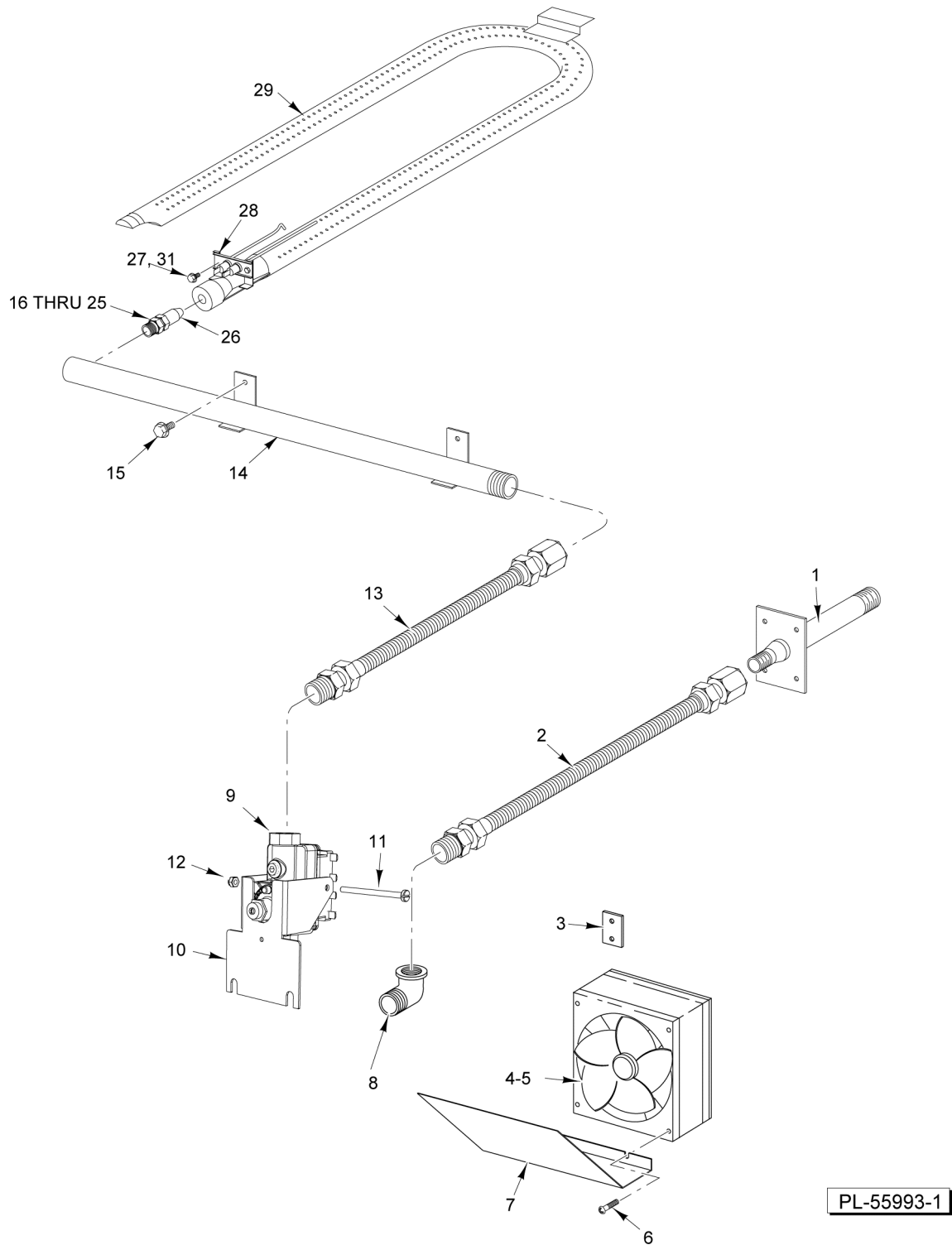
ILLUS. PL-61431	PART NO.	NAME OF PART	AMT.
1	00-959087-00001	Screw 1/4-20 x 1-1/4 Black Hd.....	2
2	WL-013-14	Lockwasher 1/4 Internal Shakeproof (SST).....	2
3	00-957108-00001	Handle - Molded (Black).....	1
4	00-913102-00179	Kit - Handle.....	1
5	SC-022-40	Mach. Screw 1/4-20 x 3/4 Phil. Flat Hd. (SST).....	4
6	00-357846-00001	Channel - Door Sill Weldment.....	1
7	00-423847-00001	Strike - Door.....	1
8	SD-034-22	Self-Tapping Screw 10-16 x 5/8 Phil. Truss Hd., Type AB.....	2
9	00-358600-00001	Panel - Outer Door (RH) (W/Window).....	1
10	00-358529-00006	Door Assy. (LH) (W/O Window).....	1
11	00-421905-000G1	Frame Assy. - Chain Door (RH).....	1
12	00-421904-000G2	Frame Assy. - Door (LH).....	1
13	00-424163-00001	Lever - Door Switch.....	1
14	SD-034-52	Self-Tapping Screw 8-32 x 1 Slotted. Hex Washer Hd., Type T.....	1
15	00-358529-00005	Door Assy. (LH) (W/Window).....	1
16	00-358529-00006	Door Assy. (LH) (W/O Window).....	1
17	00-358530-00003	Door Assy. (RH) (W/Window).....	1
18	00-358530-00004	Door Assy. (RH) (W/O Window).....	1
19	SD-034-62	Self-Tapping Screw 10-32 x 1/2 Slotted. Hex Washer Hd., Type T.....	4
20	00-358534-00001	Window Assy.....	1
21	SD-034-22	Self-Tapping Screw 10-16 x 5/8 Phil. Truss Hd., Type AB.....	8
22	00-358532-00001	Panel - Inner Door (W/Window).....	1
23	00-358533-00003	Panel - Inner Door (W/O Window).....	1
24	PS-004-11	Spirol Pin 3/16 x 1-1/4 Heavy.....	1
25	00-343143-00002	Washer.....	2
26	00-347080-00002	Bearing - Door Shaft.....	1
27	00-424158-00001	Door Stop.....	1
28	SC-113-90	Mach. Screw 1/4-20 x 3/4 Slotted Hex Washer Hd.....	2



**DOOR ASSEMBLY  
(CURRENT CONSTRUCTION)**

**DOOR ASSEMBLY  
(CURRENT CONSTRUCTION)**

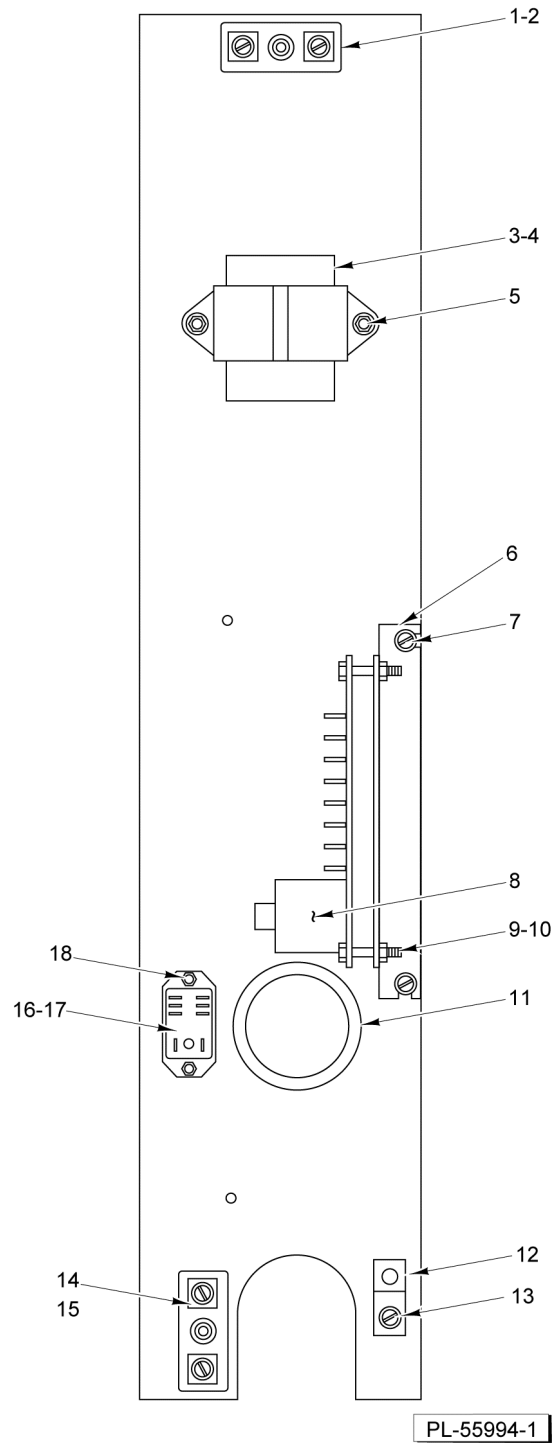
ILLUS. PL-61432	PART NO.	NAME OF PART	AMT.
1	00-959087-00001	Screw 1/4-20 x 1-1/4 Black Hd.....	2
2	WL-013-14	Lockwasher 1/4 Internal Shakeproof (SST).....	2
3	00-957108-00001	Handle - Molded (Black).....	1
4	00-913102-00179	Kit - Handle.....	1
5	SD-034-22	Self-Tapping Screw 10-16 x 5/8 Phil. Truss Hd., Type AB.....	2
6	00-499264-00001	Plate - Latch Cutout.....	1
7	00-497586-00001	Latch - Door Roller.....	1
8	00-347545-00001	Catch Assy. - Door (Ball Style) (Not Shown).....	1
9	WL-013-11	Lockwasher #10 Internal Shakeproof (SST).....	2
10	SC-117-73	Mach. Screw 10-32 x 5/8 Phil. Truss Hd.....	2
11	00-358600-00001	Panel - Outer Door (RH) (W/Window).....	1
12	00-358600-00002	Panel - Outer Door (RH) (W/O Window).....	1
13	00-424163-00001	Lever - Door Switch.....	1
14	SD-034-52	Self-Tapping Screw 8-32 x 1 Slotted. Hex Washer Hd., Type T.....	1
15	00-421905-000G1	Frame Assy. - Chain Door (RH).....	1
16	00-421904-000G2	Frame Assy. - Door (LH).....	1
17	00-499285-000G1	Door Assy. (LH) (W/Window).....	1
18	00-499285-000G2	Door Assy. (LH) (W/O Window).....	1
19	00-499286-000G1	Door Assy. (RH) (W/Window).....	1
20	00-499286-000G2	Door Assy. (RH) (W/O Window).....	1
21	SD-034-62	Self-Tapping Screw 10-32 x 1/2 Slotted. Hex Washer Hd., Type T.....	4
22	00-358534-00001	Window Assy.....	1
23	00-358532-00001	Panel - Inner Door (W/Window).....	1
24	00-358533-00003	Panel - Inner Door (W/O Window).....	1
25	PS-004-11	Spirol Pin 3/16 x 1-1/4 Heavy.....	1
26	00-343143-00002	Washer.....	2
27	00-347080-00002	Bearing - Door Shaft.....	1
28	00-357837-00001	Seal - Door End.....	1
29	SD-034-22	Self-Tapping Screw 10-16 x 5/8 Phil. Truss Hd., Type AB.....	3
30	00-961535-00001	Stop - Door.....	1
31	00-922154	Screw 1/4-20 x 1 Hex Hd.....	6
32	00-961294-00001	Support - Lower Door.....	1
33	SD-034-22	Self-Tapping Screw 10-16 x 5/8 Phil. Truss Hd., Type AB.....	2



**GAS PIPING AND FLAME CHAMBER**

## GAS PIPING AND FLAME CHAMBER

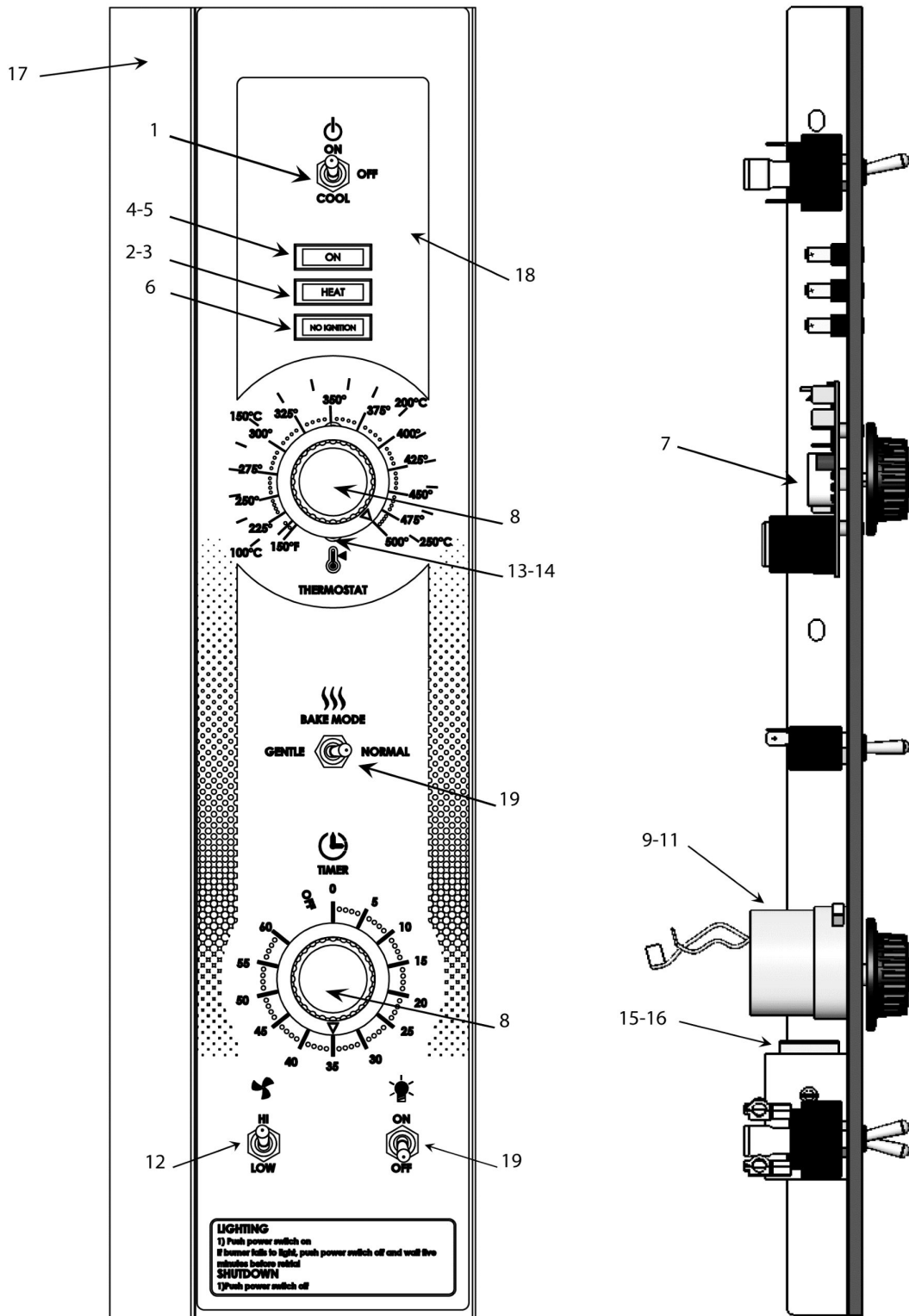
ILLUS.	PART NO.	NAME OF PART	AMT.
PL-55993-1			
1	00-423819-00003	Pipe - Weldment Gas Inlet.....	1
2	00-423828-00006	Tube - Flex (30 In.).....	1
3	00-425433-00001	Fan - Clip.....	4
4	00-424940-00001	Fan - Cooling (120 V.).....	1
5	00-424940-00002	Fan - Cooling (230 V.).....	1
6	SD-034-52	Self-Tapping Screw 8-32 x 1 Slotted. Hex Washer Hd., Type T.....	1
7	00-423820-00001	Deflector - Air (Previous Construction).....	1
8	FP-078-75	Elbow - Pipe 3/8 x 90 Deg.....	1
9	00-959662-00001	Valve - Combination Gas, Convertable (NAT & LP).....	1
10	00-959486-00001	Bracket - Gas Valve.....	1
11	SC-007-93	Mach. Screw 10-24 X 2-1/2 Slotted Rd. Hd.....	1
12	NS-048-22	Lock Nut 10-24 Special.....	1
13	00-423828-00007	Tube - Flex (18 In.).....	1
14	00-424138-00001	Manifold.....	1
15	SC-113-80	Cap Screw 1/4-20 x 1/2 Hex Hd.....	2
16	00-010901-00029	Orifice - Spud (29 Drill) (NAT) (Sea Level to 2499 Ft.).....	1
17	00-010901-00030	Orifice - Spud (30 Drill) (NAT) (2500 to 3499 Ft.).....	1
18	00-010901-00030	Orifice - Spud (30 Drill) (NAT) (3500 to 4499 Ft.).....	1
19	00-010901-00031	Orifice - Spud (31 Drill) (NAT) (4500 to 6499 Ft.).....	1
20	00-010901-00031	Orifice - Spud (31 Drill) (NAT) (6500 to 8499 Ft.).....	1
21	00-010901-00032	Orifice - Spud (32 Drill) (NAT) (8500 to 10500 Ft.).....	1
22	00-010901-00044	Orifice - Spud (44 Drill) (PRO/BUT) (Sea Level to 2499 Ft.).....	1
23	00-010901-00045	(PRO/BUT) (2500 to 4499 Ft.).....	1
24	00-010901-00047	Orifice - Spud (47 Drill) (PRO/BUT) (4500 to 7499 Ft.).....	1
25	00-010901-00048	Orifice 1 Spud (48 Drill) (PRO/BUT) (7500 to 10500 Ft.).....	1
23	00-417879-00001	Nozzle - Burner.....	1
27	SC-114-27	Mach. Screw 8-32 x 1/2 Phil. Pan Hd.....	2
28	00-959507-00001	Igniter - Burner.....	1
29	00-959508-00001	Burner.....	1
30	00-959379-00001	Cover - Burner Access, Mid (Not Shown).....	AR
31	NS-044-07	Nut Assy. 8-32 Hex KEPS.....	1



**ELECTRICAL COMPONENT PANEL**

**ELECTRICAL COMPONENT PANEL**

ILLUS.	PART NO.	NAME OF PART	AMT.
	<b>PL-55994-1</b>		
1	00-417934-000G1	Block Assy. - Porcelain.....	1
2	SD-034-52	Self-Tapping Screw 8-32 x 1 Slotted. Hex Washer Hd., Type T.....	1
3	00-411500-00012	Transformer (120 VAC, 24 V., 40 VA).....	1
4	00-411500-00013	Transformer (200-240 VAC, 24 V., 40 VA).....	AR
5	SD-032-07	Self-Tapping Screw 10-24 x 1/2 Hex. Hex Washer Hd., Type TT.....	2
6	00-423760-00001	Bracket - Ignition Module.....	1
7	SD-032-07	Self-Tapping Screw 10-24 x 1/2 Hex. Hex Washer Hd., Type TT.....	1
8	00-913102-00292	Control - Spark Ignition Kit Includes 18-22 connector 1/4" insulated.....	1
9	SD-034-52	Self-Tapping Screw 8-32 x 1 Slotted. Hex Washer Hd., Type T.....	2
10	NS-044-07	Nut Assy. 8-32 Hex KEPS.....	2
11	FE-024-23	Bushing - Electrical (Snap).....	1
12	00-417856-00001	Lug - Grounding (With Set Screw).....	1
13	SD-032-07	Self-Tapping Screw 10-24 x 1/2 Hex. Hex Washer Hd., Type TT.....	1
14	00-417934-000G1	Block Assy. - Porcelain.....	1
15	SD-034-52	Self-Tapping Screw 8-32 x 1 Slotted. Hex Washer Hd., Type T.....	1
16	00-416535-00006	Relay - Heating (120 V.).....	1
17	00-416535-00007	Relay - Heating (200-240 V.).....	1
18	SD-034-49	Self-Tapping Screw 8-32 x 1/2 Slotted. Hex Washer Hd., Type T.....	1
19	00-353589-00001	Probe Temperature (SST) Solid State (Items Not Shown).....	1
20	00-423813-00003	Wire - Ignition (High Voltage) (Items Not Shown).....	1
21	00-428428-000G1	Wire Assy. - Flame Sensor (Items Not Shown).....	1



CONTROL PANEL



**CONTROL PANEL**

ILLUS.	PART NO.	NAME OF PART	AMT.
<b>PL-F45395 CONTROL PANEL</b>			
1	00-340324-00008	Switch -Toggle (D.P.D.T) (ON/OFF/ON).....	1
2	00-354575-00010	Light - Indicator (Clear) 120V. (Heat).....	1
3	00-354575-00009	Light - Indicator (Clear) 250V. (Heat).....	1
4	00-354575-00008	Light - Indicator (Amber) 120V. (ON).....	1
5	00-354575-00007	Light - Indicator (Amber) 250V. (ON).....	1
6	00-354575-00004	Light - Indicator 24V. (No-Ign. ).....	1
7	00-913149	Kit - Temperature Control (With Harness).....	1
8	00-411242-00001	Knob.....	1
9	00-411690-00001	Timer (120 V.) (60 Hz.) (1-Hr.).....	1
10	00-411690-00002	Timer (200-240 V.) (60 Hz.) (1-Hr.).....	1
11	00-411690-00005	Timer (240 V.) (50 Hz.) (1-Hr.).....	1
12	00-340324-00009	Switch (D.P.D.T.).....	1
13	SC-114-83	Mach. Screw 6-32 x 1/4 Slotted Pan Hd. (SST).....	2
14	WS-028-20	Washer (SST).....	2
15	00-411499-00003	Buzzer (230 V.).....	1
16	00-411499-00004	Buzzer (115 V.).....	1
17	00-959489-000G1	Panel - Control Weldment.....	1
18	00-959654-00001	Overlay - Panel.....	1
19	00-340324-000012	Switch (S.P.S.T.) (ON/OFF) (Bake Mode & Lights).....	AR

