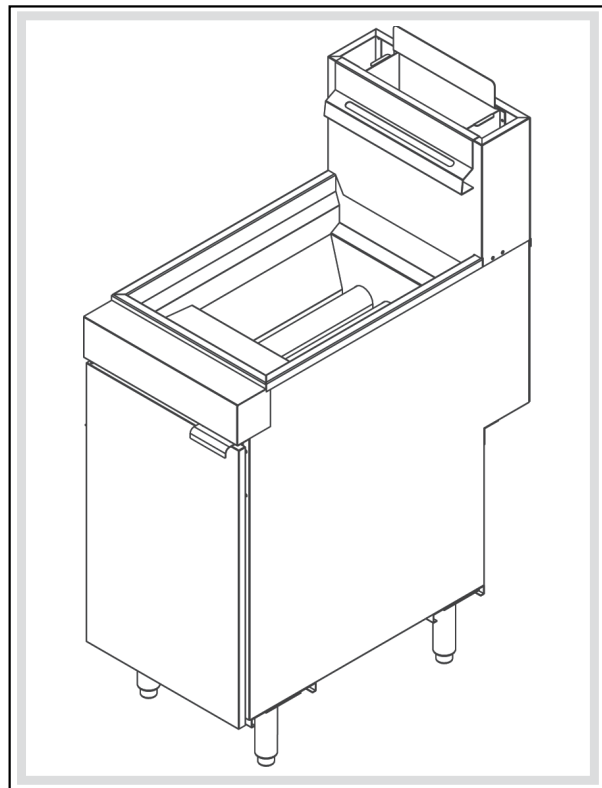


VULCAN

CATALOG OF REPLACEMENT PARTS

VEG SERIES FRYERS

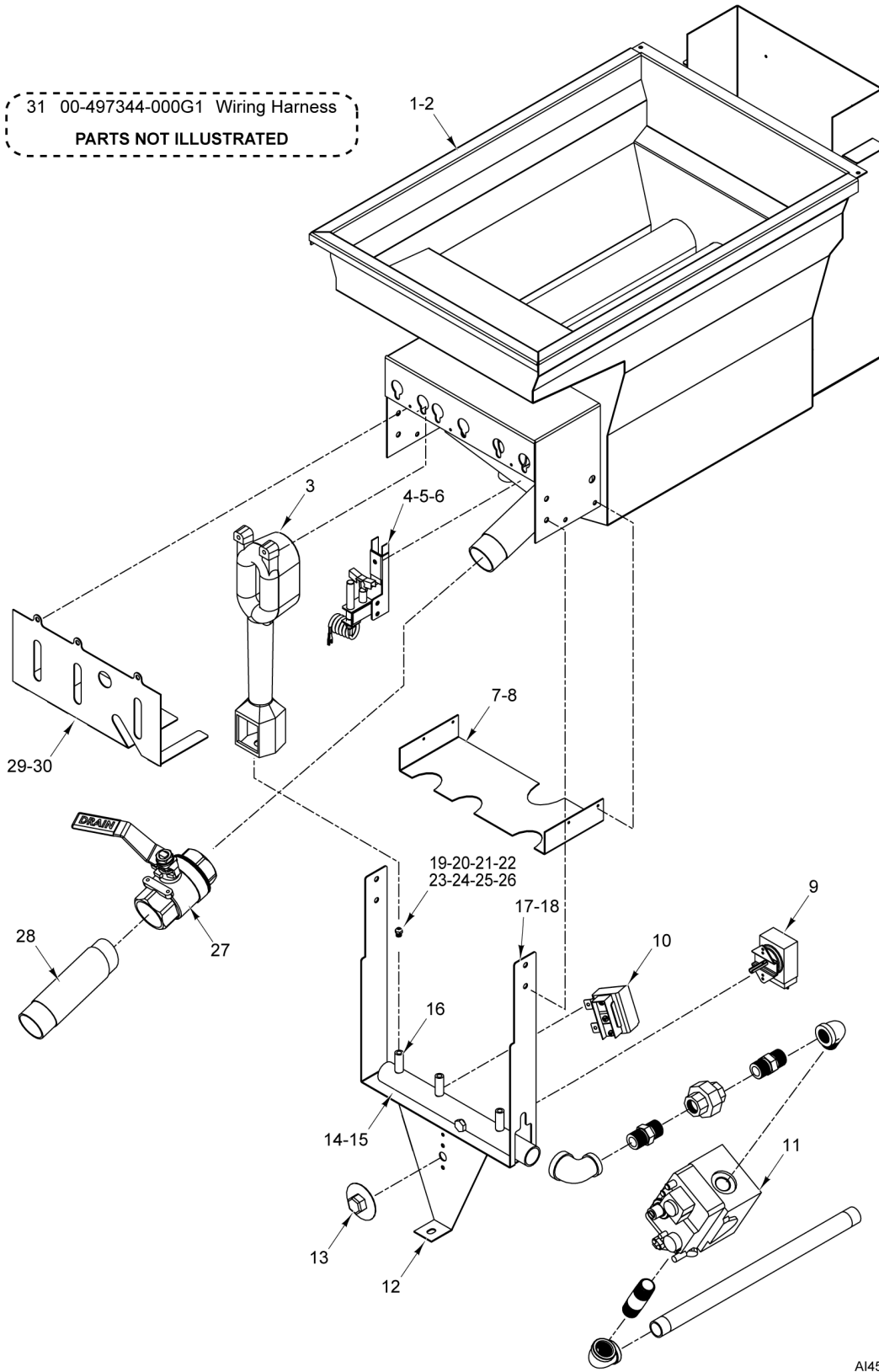
*1VEG35M FRYER
1VEG50M FRYER*



**For additional information on Vulcan or to locate an authorized parts
and service provider in your area, visit our website at www.vulcanequipment.com**

Table of Contents

| | |
|---|--------------------|
| 5 | BURNER COMPONENTS |
| 7 | BODY UNIT |
| 9 | RECOMMENDED SPARES |

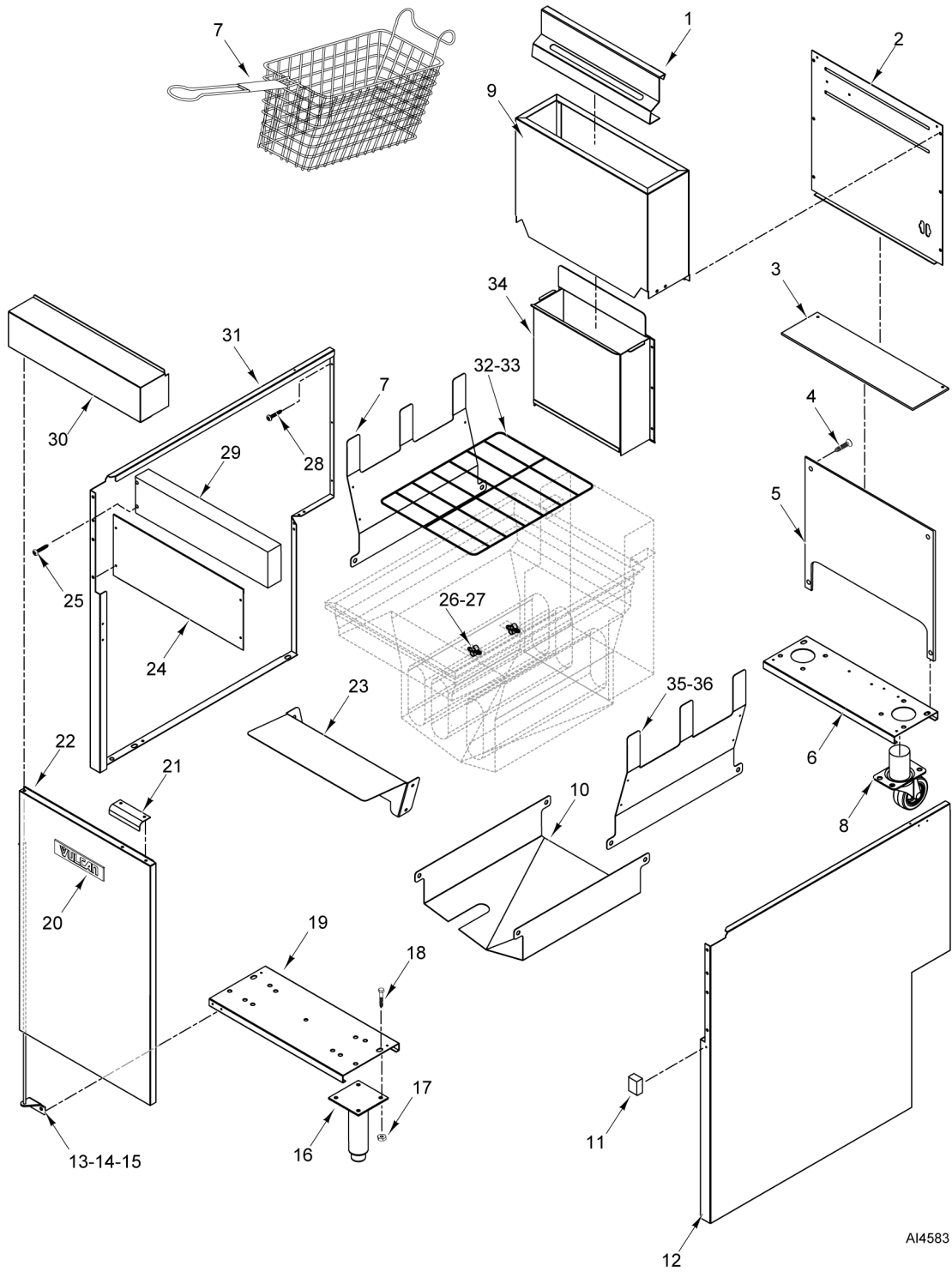


BURNER COMPONENTS

BURNER COMPONENTS

| ILLUS. | PART NO. | NAME OF PART | AMT. |
|-----------|-----------------|--|------|
| PL-AI4582 | | | |
| 1 | 00-944977-0000A | Tank Assembly (VEG35)..... | 1 |
| 2 | 00-976800-0000A | Tank Assembly (VEG50)..... | 1 |
| 3 | 00-944996 | Burner..... | 1 |
| *4 | 00-412212-00007 | Pilot (Nat. Gas)..... | 1 |
| 5 | 00-410839-00004 | Thermopile..... | 1 |
| 6 | 00-427952-00001 | Bracket - Pilot Mounting..... | 1 |
| 7 | 00-944981-00013 | Panel - Burner Under (VEG35)..... | 1 |
| 8 | 00-976801-00013 | Panel - Burner Under (VEG50)..... | 1 |
| 9 | 00-913153-00000 | Kit - Millivolt Thermostat (Includes Item 13)..... | 1 |
| 10 | 00-410840-00002 | Control - High Limit..... | 1 |
| *11 | 00-410841-00022 | Valve - Combination (NAT)..... | 1 |
| 12 | 00-944981-00014 | Panel - Thermostat..... | 1 |
| 13 | 00-944801 | Knob - Thermostat..... | 1 |
| 14 | 00-418209-00001 | Manifold - Burner (3 Tube) (VEG35)..... | 1 |
| 15 | 00-418212-00001 | Manifold - Burner (4 Tube) (VEG50)..... | 1 |
| 16 | 00-410695-00001 | Extension - Orifice..... | 1 |
| 17 | 00-944981-00008 | Hanger - Manifold (3 Tube) (VEG35)..... | 1 |
| 18 | 00-976801-00008 | Hanger - Manifold (4 Tube) (VEG50)..... | 1 |
| 19 | 00-010901-00044 | Orifice - Spud (Nat. Gas) (Sea Level - 2000 Feet) (VEG35)..... | AR |
| 20 | 00-010901-00045 | Orifice - Spud (Nat. Gas) (2000 - 5000 Feet) (VEG35)..... | AR |
| 21 | 00-010901-00046 | Orifice - Spud (Nat. Gas) (5000 - 6000 Feet) (VEG35)..... | AR |
| 22 | 00-010901-00047 | Orifice - Spud (Nat. Gas) (6000 - 8000 Feet) (VEG35)..... | AR |
| 23 | 00-010901-00047 | Orifice - Spud (Nat. Gas) (Sea Level - 2000 Feet) (VEG50)..... | AR |
| 24 | 00-010901-00048 | Orifice - Spud (Nat. Gas) (2000 - 4000 Feet) (VEG50)..... | AR |
| 25 | 00-010901-00049 | Orifice - Spud (Nat. Gas) (4000 - 7000 Feet) (VEG50)..... | AR |
| 26 | 00-010901-00050 | Orifice - Spud (Nat. Gas) (7000 - 9000 Feet) (VEG50)..... | AR |
| 27 | 00-958392-000G1 | Valve Assy. - Drain (LH)..... | 1 |
| 28 | FP-085-74 | Pipe 1-1/4 x 6-3/4..... | 1 |
| 29 | 00-944981-00009 | Panel - Burner Cover (VEG35)..... | 1 |
| 30 | 00-976801-00009 | Panel - Burner Cover (VEG50)..... | 1 |
| 31 | 00-497344-000G1 | Wiring Harness..... | 1 |

* The VEG Series fryer is not available in LP Gas construction.



AI4583

BODY UNIT

BODY UNIT

| ILLUS. PL-AI4583 | PART NO. | NAME OF PART | AMT. |
|---------------------|-----------------|---|------|
| 1 | 00-419664-00002 | Hanger - Basket..... | 1 |
| 2 | 00-976572-00000 | Panel - Chassis Back..... | 1 |
| 3 | 00-976573-00000 | Panel - Chassis Step..... | 1 |
| 4 | SD-032-07 | Self-Tapping Screw 10-24 x 1/2 Hex Washer Hd., Type TT..... | 4 |
| 5 | 00-944981-00017 | Panel - Service Back..... | 1 |
| 6 | 00-427884-00001 | Body - Rear Bottom..... | 1 |
| 7 | 00-499223-00001 | Basket - Twin..... | 2 |
| 8 | 00-421893-000G1 | Caster - Plate Mount (Set of Four)..... | 2 |
| 9 | 00-959423-000G1 | Wrap - Flue..... | 1 |
| 10 | 00-944981-00004 | Insulation Shell - Bottom Panel (VEG35)..... | 1 |
| 11 | 00-497296-000G1 | Magnet Assy..... | 1 |
| 12 | 00-959427-00002 | Body - R.H. Side..... | 1 |
| 13 | 00-976571-0000A | Hinge - Assembly..... | 1 |
| 14 | SD-032-07 | Self-Tapping Screw 10-24 x 1/2 Hex Washer Hd., Type TT..... | 2 |
| 15 | NS-044-09 | Nut Assy. 10-24 Hex KEPS..... | 2 |
| 16 | 00-413112-00012 | Leg - Plate Mount (6 In.)..... | 4 |
| 17 | NS-044-14 | Nut 1/4-20 Hex KEPS..... | AR |
| 18 | SD-015-14 | Self-Tapping Screw 1-4-20 x 1/2..... | AR |
| 19 | 00-427886-00001 | Body - Bottom (Front)..... | 1 |
| 20 | 00-957916-00005 | Nameplate - Vulcan..... | 1 |
| 21 | 00-419653 | Handle..... | 1 |
| 22 | 00-959429-000G1 | Door Panel Assembly (Stainless Steel)..... | 1 |
| 23 | 00-944981-00005 | Insulation Shell - Front Panel..... | 1 |
| 24 | 00-419788-00001 | Shield - Front..... | 1 |
| 25 | SD-036-03 | Self-Tapping Screw 8-18 x 3/8 Hex Washer Hd., Type AB..... | 2 |
| 26 | 00-402558-00006 | Clip - Tubing..... | 2 |
| 27 | 00-417522-00003 | Clip - Capillary..... | 2 |
| 28 | SD-036-03 | Self-Tapping Screw 8-18 x 3/8 Hex Washer Hd., Type AB..... | AR |
| 29 | 00-419656 | Heat Shield..... | 1 |
| 30 | 00-419662-000G1 | Front Panel..... | 1 |
| 31 | 00-959427-00001 | Body - L.H. Side..... | 1 |
| 32 | 00-427883-00001 | Screen - Basket Support (VEG35)..... | 1 |
| 33 | 00-427883-00002 | Screen - Basket Support (VEG50)..... | 1 |
| 34 | 00-959524-000G1 | Flue..... | 1 |
| 35 | 00-944981-00003 | Insulation Shell - Side Panel (VEG35)..... | 2 |
| 36 | 00-976801-00003 | Insulation Shell - Side & Bottoms (VEG50)..... | 1 |

RECOMMENDED SPARES

RECOMMENDED SPARES

| ILLUS. PL-AI4584 | PART NO. | NAME OF PART | AMT. |
|---------------------|-----------------|--|------|
| | 00-410840-00002 | Control - High Limit..... | 2 |
| | 00-913153 | Kit - Thermostat (Incls. Knob and Screws)..... | 2 |
| | 00-944801 | Knob - Thermostat..... | 2 |
| | 00-410841-00022 | Valve - Combination (NAT)..... | 1 |
| | 00-412212-00007 | Pilot (Nat. Gas)..... | 2 |
| | 00-410839-00004 | Thermopile..... | 2 |

