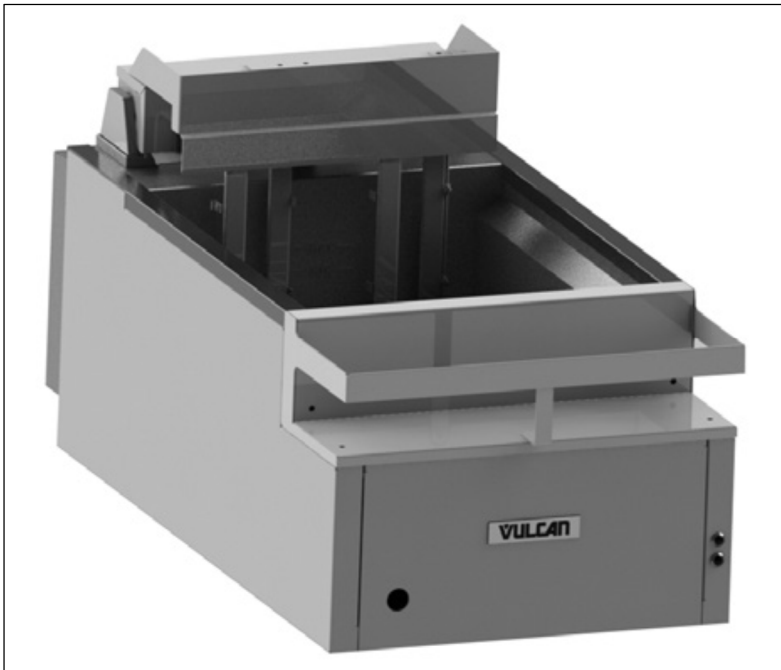




DONE TO PERFECTION.

INSTALLATION & OPERATIONAL MANUAL

CEF SERIES COUNTER ELECTRIC FRYERS



MODELS:
CEF40
CEF75

For additional information on Vulcan or to locate an authorized parts and service provider in your area, visit our website at www.vulcanequipment.com

IMPORTANT FOR YOUR SAFETY

THIS MANUAL HAS BEEN PREPARED FOR PERSONNEL QUALIFIED TO INSTALL ELECTRIC EQUIPMENT, WHO SHOULD PERFORM THE INITIAL FIELD START-UP AND ADJUSTMENTS OF THE EQUIPMENT COVERED BY THIS MANUAL.

FOR YOUR SAFETY

WARNING

DO NOT STORE OR USE GASOLINE OR OTHER FLAMMABLE VAPORS OR LIQUIDS IN THE VICINITY OF THIS OR ANY OTHER APPLIANCE.

WARNING

Improper installation, adjustment, alteration, service or maintenance can cause property damage, injury or death. Read the installation, operating and maintenance instructions thoroughly before installing or servicing this equipment.

TABLE OF CONTENTS

IMPORTANT FOR YOUR SAFETY.....	2
INTRODUCTION.....	4
GENERAL.....	4
ORDERING PARTS.....	4
UNPACKING.....	4
FRYER CAPACITIES.....	5
INSTALLATION.....	5
CODES AND STANDARDS.....	6
ASSEMBLY.....	6
ELECTRICAL CONNECTIONS.....	7
LEVELING THE FRYER.....	7
OPERATION.....	7
OVER-TEMPERATURE SHUTDOWN.....	8
BEFORE FIRST USE.....	8
Cleaning.....	8
FILLING TANK WITH SHORTENING.....	9
BASIC FRYING INSTRUCTIONS.....	9
Fry Basket Guidelines.....	10
EXTENDED SHORTENING LIFE.....	10
TURNING ON THE FRYER.....	11
TURNING OFF THE FRYER.....	12
EXTENDED SHUTDOWN.....	12
FILTERING THE OIL.....	12
DRAINING THE TANK.....	13
BOIL OUT PROCEDURE.....	13
CLEANING.....	14
Daily.....	14
MAINTENANCE.....	15
SERVICE IN US AND CANADA.....	15
IN AUSTRALIA.....	15
TROUBLESHOOTING.....	15
TROUBLESHOOTING CHART.....	15

INTRODUCTION

GENERAL

Vulcan Fryers are produced with quality workmanship and material. Proper installation, usage and maintenance will result in years of satisfactory performance.

Before installing the fryer, thoroughly read this manual and carefully follow all instruction.

This manual is applicable to model listed on the cover page. Procedures in this manual will apply to all models unless specified. Pictures and illustrations can be of any model unless the picture or illustration needs to be model specific.

ORDERING PARTS

Customers may order parts directly from their local authorized service center. If not known, call Vulcan Customer Service at 800-814-2028.

To speed up your order, provide the model number, serial number, electrical specifications, part needed, item part number (if known) and quantity needed.

UNPACKING

This fryer was carefully inspected before leaving the factory. The carrier assumes full responsibility for the safe delivery upon acceptance of the shipment. Check for possible shipping damage immediately after receipt.

If the fryer is found to be damaged, complete the following steps:

1. Carrier must be notified within 5 business days of receipt.
2. Carrier's local terminal must be notified immediately upon discovery (note time, date, and who was spoken to), and follow up and confirm with written or electronic communication.
3. All original packing materials must be kept for inspection purposes.
4. The fryer cannot have been moved, installed, or modified.
5. Notify Vulcan Customer Service immediately at 800-814-2028.

Check that the following have been included:

- ◆ Basket Rack
- ◆ Tank Brush
- ◆ Twin Fry Baskets (2) per fry tank
- ◆ Cleanout Rod
- ◆ Drain Pipe Extension

FRYER CAPACITY

MODEL	KW PER FRY TANK	WIDTH INCH (cm) TOTAL SYTEM	SHORTENING LBS (kg) PER FRY TANK
CEF40	17	18" (46 cm)	40 (18 kg)
CEF75	24	27" (69 cm)	75 (34 kg)

Voltage ranges are: 208, 3 Phase - 50 – 60 Hz
240, 3 Phase - 50 – 60 Hz

INSTALLATION

Do not use the door or its handle to lift the fryer.

Before installing the fryer, verify that the electrical requirements agree with the specifications on the fryer data plate, which is located on the inside of the door panel.

Record your fryer model, device, and serial numbers for future reference in the space provided below. This information can be found on the fryer data plate.

Fryer Model No: _____

Device: _____

Serial No: _____

Clearances

- ◆ Minimum clearance from combustible construction:
 - 6" (15 cm) from the sides of the fryer
 - 6" (15 cm) from the back of the fryer
- ◆ Minimum clearance from noncombustible construction:
 - 0" from the sides of the fryer
 - 0" from the back of the fryer
- ◆ Between the fryer and any open-top flame units:
 - 16" (41 cm)
- ◆ Allow space for servicing and operation.

CODES AND STANDARDS

The fryer must be installed in accordance with:

In the United States:

- ◆ State and local codes, or in the absence of local codes, with:
- ◆ National Electrical Code, ANSI/NFPA-70 (latest edition). Copies may be obtained from The National Fire Protection Association, Batterymarch Park, Quincy, MA. 02169-7471.

In Canada:

- ◆ Local codes
- ◆ CSA C22.1 Canadian Electric Code L4W 5N6.

ASSEMBLY

⚠ WARNING The fryer must be restrained to prevent tipping and the splashing of hot liquid. The means of restraint may be the manner of installation, such as connection to a battery of appliances, installing the fryer in an alcove, or by separate means such as adequate ties.

⚠ WARNING The fryer must be secured to the counter top to prevent accidental moving and splashing of hot oil onto the operator.

Fryers Mounted On Counter Bases With Casters

- ◆ A restraining device must be attached to limit movement.
- ◆ After restraining device hardware has been installed, apply a silicone sealant along all edges of the fryer that make contact with the counter base to prevent liquid and debris from accumulating under the fryer.
- ◆ The fryer must be installed with a connector (not supplied by Vulcan) complying with codes.
- ◆ The fryer must be installed with restraining means to guard against transmission of strain to the connector.
- ◆ If the restraint is ever to be disconnected, turn off electric supply to the fryer.
- ◆ If the fryer is installed on a counter base with casters without a supply cord, it must be hard wired using flexible conduit when making connection to the power supply.

ELECTRICAL CONNECTION

⚠ WARNING Electrical and Grounding connections must comply with the National Electrical Code and/or other local codes.

⚠ WARNING Disconnect the electrical power supply to the machine and follow lockout / tag out procedures.

Place fryer as near to its final position as possible. Connect 3 phase line to X, Y and Z on terminal block. To reach terminal block, remove electric cover plate from fryer.

For each fryer, a 3 phase supply line capable of handling the required KW at the fryer's rated voltage (208 and 240) is needed. Refer to the fryer data plate for this electrical information.

NOTICE To shield electric connection supply wiring, a permanently connected or direct wired device must be installed using flexible conduit sleeve with the appropriate connectors.

LEVELING THE FRYER

Check the level of the fryer by placing a level on top of the fryer after electrical connections have been made.

Ensure that the fryer is level front-to-back and side-to-side in the final installed position.

If using a counter base with casters, lock the wheels after unit is level.

OPERATION

⚠ WARNING Hot oil and parts can cause burns. Use care when operating, cleaning and servicing the fryer.

⚠ WARNING Spilling hot frying compound can cause severe burns. Do not move fryer without draining all frying compound from the tank.

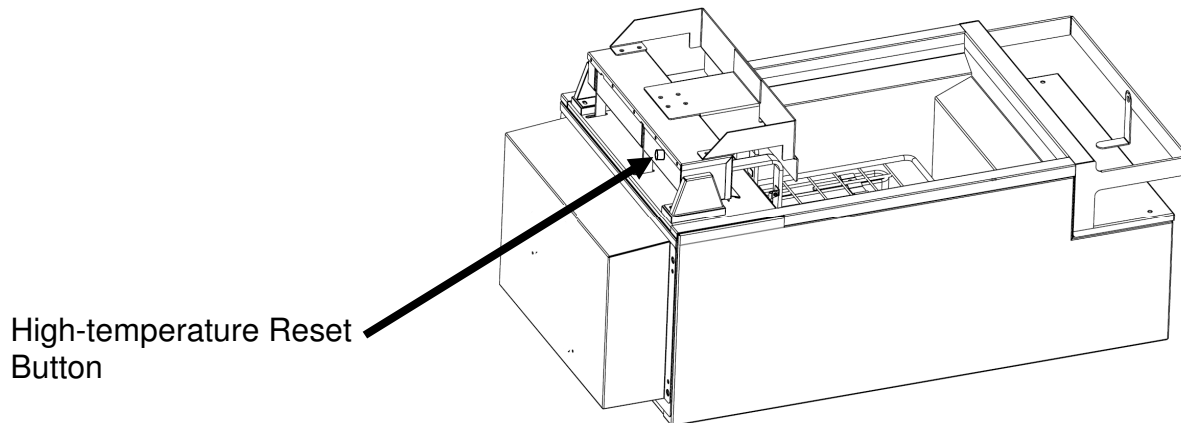
OVER-TEMPERATURE SHUTDOWN

If the shortening becomes overheated, a high-temperature shutoff device will turn the heating elements off, shutting down the fryer.

If the fryer shuts down due to overheating, do not turn fryer on until the shortening temperature is below 300 °F (149 °C).

If activated, the high-temperature shut-off device has a manual reset button that must be depressed to reset and allow fryer to heat again. The red reset button is located near the top, left, rear corner of the fryer.

If an overheating situation persists, contact the local Vulcan Service Contractor in your area.



BEFORE FIRST USE

Cleaning

New units are wiped down at the factory to remove any visible signs of dirt, oil, grease, etc. remaining from the manufacturing process.

Before any food preparation, thoroughly wash the protective oil from all surface parts and the tank interior with hot soapy water to remove any film residue and dust or debris.

NOTICE Do not use chlorine or sulfate/sulfide cleaners.

- ◆ Wash any accessories shipped with unit.
- Rinse fryer and accessories thoroughly and drain the fryer.
- ◆ Wipe tank completely dry with a soft, clean cloth.

FILLING TANK WITH SHORTENING

- ◆ Close the drain valve.
- ◆ Fill the fryer tank with shortening. Vulcan recommends using liquid shortening.
- ◆ Shortening level should be between the MIN and MAX lines in the fryer tank.
- ◆ Shortening will expand when heated. Do not fill the fryer tank past the MAX line.
- ◆ Press the melt switch to liquid or solid shortening.
- ◆ Add fresh shortening as needed to maintain oil level.

▲ WARNING **Solid Shortening:** Do not set a complete block of solid shortening on top of an electric fryer's heating elements. Doing this may damage the elements and increase the potential for shortening flash fire. If solid shortening is to be used in an electric fryer, remove the baskets and crumb screen (s), and raise the elements from the tank. Pack the bottom of the tank completely with solid shortening, lower the elements and then pack the shortening completely around and over top of the elements. Lay basket rack(s) in the tank on top of the packed shortening. Follow the melt instructions in this manual. Once all shortening has been melted and the fryer has met the set temperature, fill baskets and resume frying.

NOTICE Do not press the START switch unless oil or shortening level is above the heating elements (between the MIN and MAX tank marks). Doing so may cause a flash fire and damage to the fryer, thereby voiding your warranty.

BASIC FRYING INSTRUCTION

- ◆ Set the desired temperature and allow shortening to heat up to that temperature.
- ◆ Fry items that are the same size to ensure equal doneness.
- ◆ Drain or wipe dry raw or wet foods to minimize splatter when lowering into hot shortening.
- ◆ Add fresh shortening as needed.

Fry Basket Guidelines

- ◆ Do not overfill baskets. (See fry basket capacity) Carefully lower basket into oil.
- ◆ When frying doughnuts and fritters, turn product only once during frying.
- ◆ When cooking French fries or onion rings, shake the basket several times.
- ◆ Batter covered foods should be dropped carefully, one by one, into shortening or basket. If you use the basket, first dip the basket into the shortening to reduce batter-build up on basket surfaces.
- ◆ When frying is completed, remove basket or product. Hang basket on rear hanger.

Fry Basket Capacity:

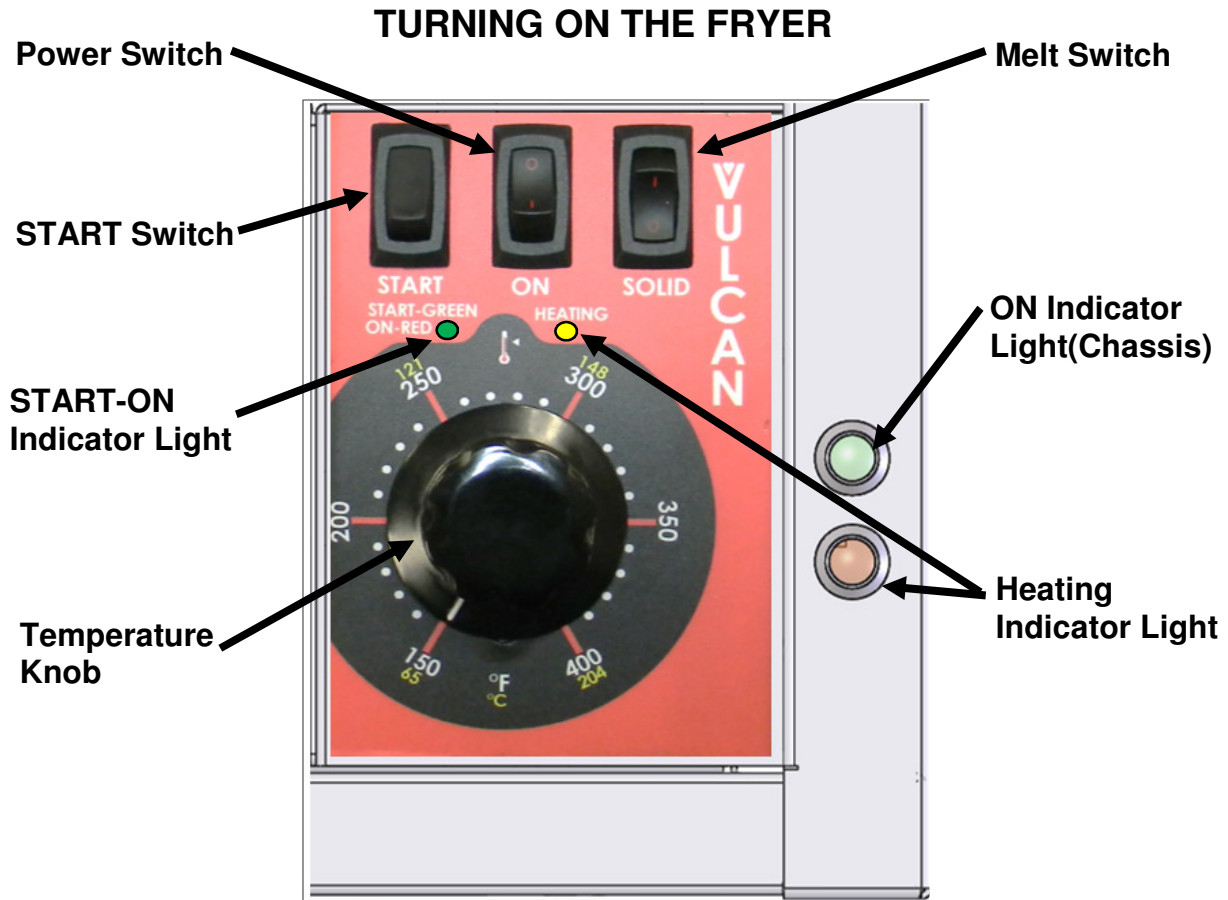
CEF40: Recommended pounds per basket are 2.5 lbs. (1.1 kg).

CEF75: Recommended pounds per basket are 3.5 lbs. (1.6 kg).

EXTENDING SHORTENING LIFE

Shortening life can be extended by the following guidelines:

- ◆ Do not salt foods over the fryer.
- ◆ Use good-quality shortening.
- ◆ Filter shortening daily (at a minimum).
- ◆ Replace shortening if it becomes poorly flavored.
- ◆ Keep equipment and surrounding area clean.
- ◆ Set thermostat correctly.
- ◆ Remove excess moisture and particles from food products before placing in fryer.



- ◆ Ensure fry tank is filled to between the MIN and MAX fill lines with oil.
- ◆ Open the door to the fryer. Press the power switch to the ON position. The START-ON indicator light above the temperature knob should illuminate red and the ON indicator light on the chassis should illuminate green.
- ◆ Move the melt switch to the correct shortening being used: Solid or Liquid.
- ◆ Set temperature by turning the knob to the desired temperature.
- ◆ Press the START switch. The START-ON light should illuminate green. The HEATING light will illuminate yellow along with the corresponding heating light on the frame of the fryer. The START switch is a momentary switch and will reset after being depressed.
- ◆ The fryer heating elements and heating indicator lights will cycle on and off through the melt cycle. When the temperature reaches 135° F, the melt cycle ends and the heating elements will stay on until the set temperature is reached.
- ◆ The heating elements and heating indicator lights will cycle on and off to maintain the set temperature.

NOTICE Do not press the START switch unless oil or shortening level is above the heating elements (between the MIN and MAX tank marks). Doing so may cause a flash fire and damage to the fryer, thereby voiding your warranty.

TURNING OFF THE FRYER

- ◆ Open the door to the fryer. Press the top of the power switch to the off position. All indicator lights should go off.

EXTENDED SHUTDOWN

1. Open the door to the fryer. Press the top of power switch to the off position. All indicator lights should go off.
2. Thoroughly drain the fryer. Refer to DRAINING THE FRYER.
3. Clean the fryer according to CLEANING.
4. Turn off the main electric circuit breaker to fryer.

FILTERING THE OIL

▲ WARNING Hot oil and hot parts can cause burns. Use care when operating, cleaning, and servicing the fryer.

Filter shortening at least once a day.

1. A cold fryer will not drain properly. Always filter shortening between 250°F and 350°F. The shortening in the cold zone area will remain hard if not heated properly. If necessary, use the clean-out rod to carefully stir the hard shortening to an area above the cold zone where it will melt.
2. Open the door to the fryer. Press the power switch to the off position; turning off the fryer.
3. Insert the drain extension into the drain valve.
4. Direct the drain extension into Vulcan's MF-1 mobile filter or equivalent mobile filtering device.
5. Use a crumb scoop to remove the heavy debris lying on the bottom of the tank.
6. Slowly open the drain valve to allow oil to flow from the fry tank to the filter pan or discard container.

7. When fry tank is empty use the tank brush to remove any additional debris.
8. Close the drain valve.
9. Fill tank with new shortening. Fill to a minimum of the MIN level but no higher than halfway between MIN and MAX. Oil will expand as it is heated.
10. Turn fryer on and then press the start switch only after step 9 is fully completed. The fryer will begin to heat the shortening.

DRAINING THE TANK

1. Open the door to the fryer. Press the power switch to off position; turning off the fryer.
2. Insert the drain extension into the drain valve. Tighten only hand tight.
3. Direct the drain spout into the container that you want to drain the shortening into.
4. Open the drain valve slowly allowing the oil to drain into the container. When the container is full or the fryer tank is empty, close the drain valve. Repeat this step until the fryer is empty. Remove the drain extension and place it back in holder.
5. It is recommended to now boil out your fry tank. Follow the BOIL OUT PROCEDURE. Then clean-out as described under CLEANING.

BOIL OUT PROCEDURE

Weekly or when oil is replaced:

1. Drain the tank as described under DRAINING THE TANK.
2. Close the drain valve and fill tank with water Use a boil out degreaser which can be ordered from your local dealer. Follow the instructions on the side of the package.

NOTICE Do not use chlorine or sulfate/sulfide cleaners.

3. Solution level must be between the MIN and MAX levels on the fryer tank.
4. Press the power switch to the on position. Set the temperature knob to 200°F. Water boils at 212°F. Do not bring water temperature to an overly active boil.
5. Press the start switch to begin heating the boil out solution.
6. Use the tank brush; clean the sides, bottom and heat exchanger tubes.

7. Place the drain extension in the drain valve and hand tighten only. Drain the cleaning solution from the tank into a container.
8. Close the drain valve and refill the tank with water. Add 1 cup (1/4 L) of vinegar to neutralize alkaline left by the cleaner. Solution level must be between the MIN and MAX level on the fryer tank. Press the start button to allow the solution to heat up. Allow solution to stand for a few minutes.
9. Drain the tank according to DRAINING THE TANK. Rinse thoroughly with clear, hot water. All traces of cleaner must be removed. Dry the tank thoroughly.
10. Close the drain valve and add shortening. Follow the FILLING TANK WITH SHORTENING procedure in this manual. The fryer is now ready for use. Press the start button to begin heating the shortening.

CLEANING

⚠ WARNING Hot oil and hot parts can cause burns. Use care when operating, cleaning, and servicing the fryer.

Daily

Clean your fryer regularly with the tank brush along with a damp cloth, and polish with a soft dry cloth. If regular cleaning is neglected, grease will be burned on and discolorations may form.

Fingerprints are sometimes a problem on highly polished surfaces of stainless steel. They can be minimized by applying a cleaner that will leave a thin oily or waxy film.

- ◆ Clean all exterior surfaces of your fryer at least once daily.
- ◆ Use a damp cloth with warm water and a mild soap or detergent.

NOTICE Do not use chlorine or sulfate/sulfide cleaners.

- ◆ Rinse thoroughly, and then polish with a soft dry cloth.
- ◆ Keep the fryer exterior clean and free of accumulated grease to prevent stubborn stains from forming. If regular cleaning is neglected, grease will be burned on and discolorations may form.
- ◆ Remove discolorations by washing with any detergent or soap and water.
- ◆ Use a self-soaping, non-metallic scouring pad for particularly stubborn discolorations.
- ◆ Always rub with the grain of the stainless steel.
- ◆ Do not use a metallic scoring pad or harsh cleaners.

MAINTENANCE

⚠ WARNING Hot oil and hot parts can cause burns. Use care when operating, cleaning, and servicing the fryer.

⚠ WARNING Spilling hot fryer compound can cause severe burns. Do not move fryer without draining all frying compound from the tank.

Service in the US and Canada

Contact the local Vulcan Service Contractor in your area to obtain service and parts information. For a complete listing of Service and Parts depots refer to www.vulcanequipment.com.

In Australia

Contact Hobart Food Equipment PTY. LTD., 16 Hilly Street Morlake, N.S.W. 2137 Australia; P.O. Box 100, Concord N.S.W. 2137; Tel: (02) 9736 1200; Fax: (02) 9736 1555. www.hobartfood.com.au

Troubleshooting Chart:	
Problem:	Probable Cause:
No Heat:	Power switch not turned on. Start switch not depressed. Wire connections loose (call service). Wires connections need cleaning. High temperature shut-off activated. Reset (call service). Power supply interrupted.
Insufficient or too much heat:	Temperature not set to desired temperature. High temperature shut-off activated. Reset (call service). Temperature probe (call service)
Tank will not drain:	Shortening too cold. Drain pipe clogged with debris.

Tableau de dépannage :	
Problème :	Cause probable :
Pas de chaleur :	<p>Interrupteur d'alimentation hors tension. Interrupteur de mise en marche non activé. Connexions de fils lâches (Appeler le service de l'entretien). Les connexions de fils ont besoin d'être nettoyées Interrupteur de surchauffe déclenché. Réinitialiser (Appeler le service de l'entretien). Alimentation électrique coupée.</p>
Chaleur insuffisante ou trop élevée :	<p>Température non réglée à la température souhaitée. Interrupteur de surchauffe déclenché. Réinitialiser (Appeler le service de l'entretien). Sonde de température (Appeler le service de l'entretien).</p>
La cuve ne se vide pas :	<p>Graisse trop froide. Tuyau de vidange obstrué par des débris.</p>

- ◆ Gardez l'extérieur de la friteuse propre et exempt d'accumulation de graisse pour éviter la formation de taches tenaces. Si le nettoyage régulier est négligé, la graisse brûlée s'incrusterà et une décoloration peut apparaître.
- ◆ Enlevez toute décoloration par un lavage avec de l'eau et du détergent ou du savon.
- ◆ Utilisez un tampon à récureur auto moussant non métallique pour les décolorations particulièrement tenaces.
- ◆ Frottez toujours dans le sens du grain de l'acier inoxydable.
- ◆ N'utilisez pas de tampon à récureur métallique ou des nettoyeurs abrasifs.

ENTRETIEN

⚠ AVERTISSEMENT L'huile et les pièces chaudes peuvent causer des brûlures. Soyez prudent lors de l'utilisation, du nettoyage et de l'entretien de la friteuse.

⚠ AVERTISSEMENT Le déversement de gras de friture chaud peut causer de graves brûlures. Ne déplacez pas la friteuse sans vidanger tous les gras de friture de la cuve.

Service aux Etats-Unis et au Canada

Pour obtenir de l'information sur l'entretien et les pièces de rechange, contacter l'agence de service Vulcan de votre région. Visiter le site www.vulcanequipment.com pour une liste exhaustive des agences d'entretien et des dépôts de pièces de rechange.

En Australie

Contactez Hobart Food Equipment PTY. LTD., 16 Hilly Street Morlake, N.S.W. 2137 Australia; P.O. Box 100, Concord N.S.W. 2137; Tél.: (02) 9736 1200; Télécopie : (02) 9736 1555. www.hobartfood.com.au

- ◆ Rincez en profondeur, puis polissez avec un linge doux.
 - ◆ Utilisez un chiffon humidifié avec de l'eau tiède et un savon ou un détergent doux.
 - ◆ Nettoyez toutes les surfaces extérieures de la friteuse au moins une fois par jour.
- Les empreintes digitales sont parfois un problème sur les surfaces très polies en acier inoxydable. Elles peuvent être minimisées en appliquant un nettoyeur qui laissera un mince film huileux ou cireux.
- Nettoyez votre friteuse régulièrement avec la brosse à cuve ainsi qu'avec un chiffon humide, et polissez avec un chiffon sec et doux. Si le nettoyage régulier est négligé, la graisse brûlée s'incrusterait et une décoloration peut apparaître.

Chaque jour

AVERTISSEMENT L'huile et les pièces chaudes peuvent causer des brûlures. Soyez prudent lors de l'utilisation, du nettoyage et de l'entretien de la friteuse.

NETTOYAGE

10. Fermez le robinet de vidange et ajoutez la graisse alimentaire. Suivez la procédure de REMPLISSAGE DE LA CUVE DE GRAISSE ALIMENTAIRE de ce manuel. La friteuse est maintenant prête à l'emploi. Appuyez sur le bouton de marche pour commencer à chauffer la graisse alimentaire.
9. Vidangez la cuve tel que décrit sous VIDANGE DE LA CUVE. Rincez à fond à l'eau claire et chaude. Toute trace de nettoyeur doit être enlevée. Séchez soigneusement la cuve.
8. Fermez le robinet de vidange et remplissez la cuve d'eau. Ajoutez 1 tasse (1/4 L) de vinaigre pour neutraliser tout alcali laissé par le nettoyeur. Le niveau de la solution doit se situer entre les niveaux MIN et MAX de la cuve de la friteuse. Appuyez sur le bouton de marche pour permettre à la solution de chauffer. Laissez reposer la solution pendant quelques minutes.
7. Placez la rallonge de vidange dans le robinet de vidange et serrez à la main uniquement. Vidangez la solution de nettoyage de la cuve dans un récipient.
6. Utilisez la brosse à cuve ; nettoyez les côtés, le fond et les tubes de l'échangeur de chaleur.
5. Appuyez sur le bouton de marche pour commencer à chauffer la solution d'ébullition.
4. Mettez l'interrupteur d'alimentation à la position de marche (ON). Réglez le bouton de température à 200 °F (93 °C). L'eau bout à 212 °F (100 °C). Ne portez pas la température de l'eau à trop forte ébullition.

3. Le niveau de la solution doit se situer entre les lignes MIN et MAX de la cuve de la friteuse.

N'utilisez pas d'agent nettoyant à base de chlore ou de sulfate/sulfure.

AVIS

2. Fermez le robinet de vidange et remplissez la cuve d'eau. Utilisez les comprimés nettoyeurs peu moussants Boil-Out de Vulcan (code d'article 956812-1) que vous pouvez commander auprès de votre détaillant local. Suivez les instructions figurant sur le côté de l'emballage.
1. Vidangez la cuve tel que décrit à la rubrique VIDANGE DE LA CUVE.

Chaque semaine ou lorsque l'huile est remplacée :

PROCÉDURE D'ÉBOUILLANTAGE

5. Il est recommandé d'ébouillanter maintenant la cuve de friture. Suivez la PROCÉDURE D'ÉBOUILLANTAGE. Puis, nettoyez-la tel que décrit dans la section NETTOYAGE.
4. Ouvrez lentement le robinet de vidange pour laisser l'huile s'écouler dans le récipient. Lorsque le récipient est plein ou lorsque la cuve de la friteuse est vide, fermez le robinet de vidange. Répétez cette étape jusqu'à ce que la friteuse soit vide. Enlevez la rallonge de vidange et remettez-la en place sur le support.
3. Dirigez le bec de vidange dans le récipient dans lequel vous voulez vidanger la graisse.
2. Insérez la rallonge de vidange dans le robinet de vidange. Serrez à la main uniquement.
1. Ouvrez la porte de la friteuse. Mettez l'interrupteur principal à l'arrêt, ce qui éteint la friteuse.

VIDANGE DE LA CUVE

10. Allumez la friteuse et appuyez ensuite sur l'interrupteur de mise en marche mais seulement après avoir terminé complètement l'étape 9. La friteuse commencera à chauffer la graisse alimentaire.
9. Remplissez la cuve de nouvelle graisse alimentaire. Remplissez au moins jusqu'au niveau MIN, mais pas plus qu'à mi-chemin entre MIN et MAX. L'huile augmente de volume lorsqu'elle est chauffée.
8. Fermez le robinet de vidange.
7. Lorsque la cuve de friture est vide, utilisez la brosse à cuve pour enlever les débris restants.

1. Si la friteuse est froide, le filtrage ne s'effectue pas correctement. Filtrez toujours la graisse alimentaire entre 250 °F et 350 °F (120 et 175 °C). La graisse de la zone froide restera dure si elle n'est pas chauffée suffisamment. Si nécessaire, utilisez délicatement la tige de nettoyage pour faire monter la graisse dure dans une zone au-dessus de la zone froide où elle fondra.
 2. Ouvrez la porte de la friteuse. Mettez l'interrupteur principal à l'arrêt, ce qui éteint la friteuse.
 3. Insérez la rallonge de vidange dans le robinet de vidange.
 4. Posez la rallonge de vidange dans le filtre mobile MF-1 de Vulcan ou un dispositif de filtrage mobile équivalent.
 5. Servez-vous d'une pelle à miettes pour retirer les gros débris déposés au fond de la cuve.
 6. Ouvrez lentement le robinet de vidange pour laisser couler l'huile de la cuve de friture vers le bac de filtration ou le récipient de mise au rebut.
- Filtrez la graisse au moins une fois par jour.

AVERTISSEMENT L'huile et les pièces chaudes peuvent causer des brûlures. Soyez prudent lors de l'utilisation, du nettoyage et de l'entretien de la friteuse.

FILTRAGE DE L'HUILE

1. Ouvrez la porte de la friteuse. Appuyez sur l'interrupteur d'alimentation pour le mettre à la position d'arrêt (OFF).
2. Vidangez complètement la friteuse. Consultez la section VIDANGE DE LA FRITEUSE.
3. Nettoyez la friteuse tel qu'indiqué dans la section NETTOYAGE.
4. Désactivez le disjoncteur pour couper le circuit électrique principal de la friteuse.

ARRÊT PROLONGÉ

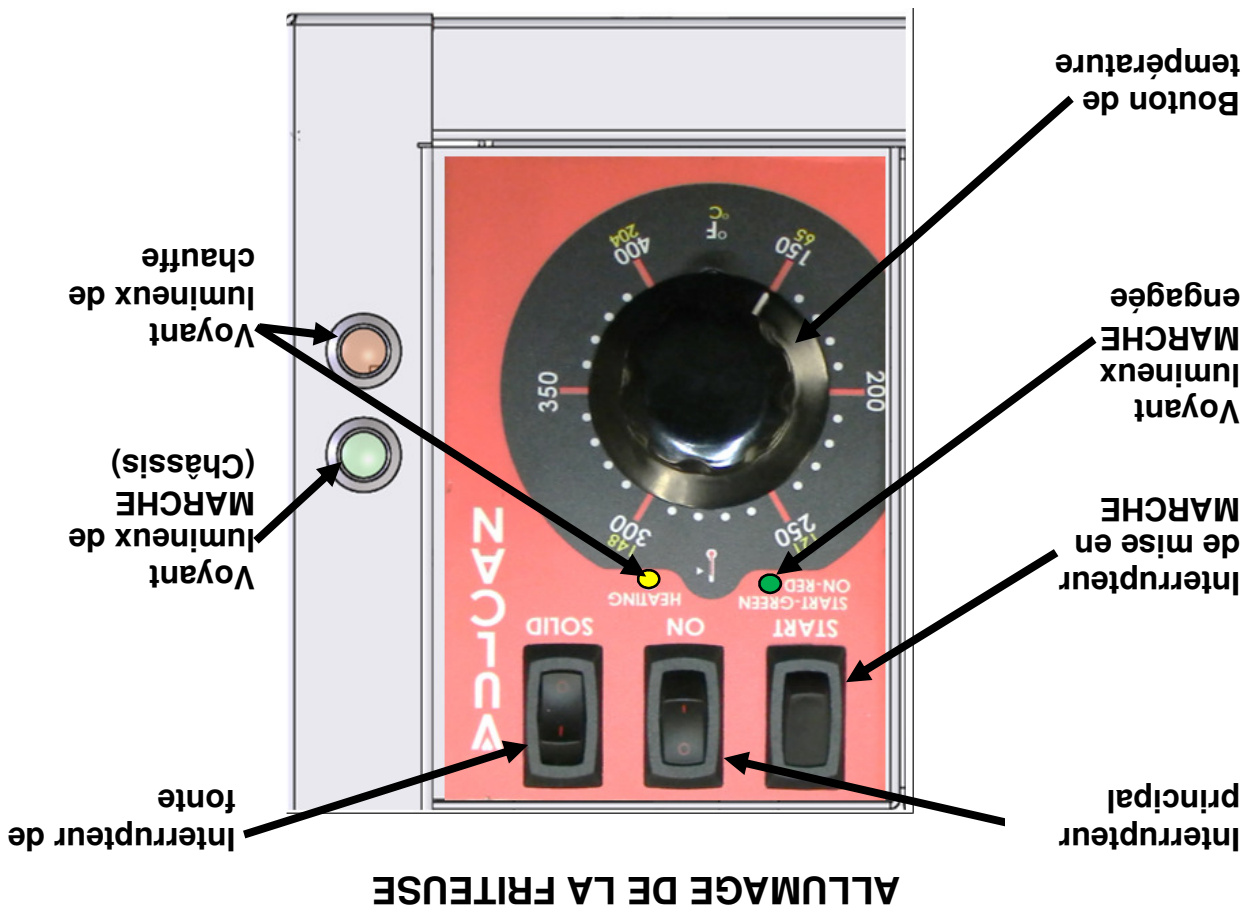
- ◆ Ouvrez la porte de la friteuse. Appuyez sur l'interrupteur d'alimentation pour le mettre à la position d'arrêt (OFF).

ARRÊT DE LA FRITEUSE

Il ne pas appuyer sur le commutateur de démarrage (START) avant que le niveau de l'huile ou de graisse alimentaire n'ait dépassé le dessus des éléments électriques (soit entre les lignes MIN et MAX sur la cuve). Ce faisant, il peut se produire un feu à inflammation instantanée qui causera des dommages à la friteuse et par conséquent en annulera la garantie.

AVIS

- ◆ Assurez-vous que la cuve de friture est remplie d'huile jusqu'entre les lignes MIN et MAX.
- ◆ Ouvrez la porte de la friteuse. Mettez l'interrupteur principal en position de MARCHÉ (ON). Le voyant lumineux de MARCHÉ engagée, au-dessus du bouton de température, devrait s'allumer en rouge, et le voyant lumineux de marche du châssis devrait s'allumer en vert.
- ◆ Réglez l'interrupteur de fonte pour la graisse alimentaire utilisée : Solide ou Liquide.
- ◆ Réglez la température en tournant le bouton jusqu'à la température désirée.
- ◆ Appuyez sur l'interrupteur de MARCHÉ (START). Le voyant de MARCHÉ engagée devrait s'allumer en vert. Le voyant de CHAUFFE s'allumera en jaune en même temps que le voyant de chauffe correspondant sur le châssis de la friteuse. L'interrupteur de mise en MARCHÉ est temporaire et se réinitialisera après avoir été activé.
- ◆ Les éléments électriques et les voyants lumineux s'allumeront et s'éteindront pendant le cycle de fonte. Lorsque la température atteint 135°F (57°C), le cycle de fonte se termine et les éléments restent allumés jusqu'à ce que la température réglée ait été atteinte.
- ◆ Les éléments électriques et les voyants lumineux s'allumeront et s'éteindront pour le maintien de la température réglée.



- ◆ Ne pas saler les aliments au-dessus de la friteuse.
- ◆ Utiliser une bonne qualité de graisse alimentaire.
- ◆ Filtrer la graisse alimentaire au-moins quotidiennement.
- ◆ Remplacer la graisse alimentaire si son arôme sent mauvais.
- ◆ Maintenir l'appareil et son environnement propres.
- ◆ Régler le thermostat correctement.
- ◆ Retirer l'excès d'humidité et les particules des produits alimentaires avant de mettre la graisse alimentaire dans la friteuse.

La durée de vie de la graisse alimentaire peut être prolongée en respectant les grandes lignes suivantes :

POUR PROLONGER LA DURÉE DE VIE DE LA GRAISSE ALIMENTAIRE

CEF40 : Nombre de livres recommandées par panier - 2,5 lb (1,1 kg).
 CEF75 : Nombre de livres recommandées par panier - 3,5 lb (1,6 kg).

Capacité du panier à friture :

- ◆ Lors de la cuisson de frites ou de rondelles d'oignons, secouez le panier plusieurs fois.
- ◆ Les aliments enrobés de pâte devraient être déposés avec précaution, un par un, dans l'huile ou le panier. Si vous utilisez le panier, trempez d'abord le panier dans l'huile pour réduire l'accumulation de pâte sur les surfaces du panier.
- ◆ Lorsque la friture est terminée, retirez le panier ou le produit. Accrochez le panier au support arrière.
- ◆ Ne surchargez pas les paniers. (Voir la capacité du panier à friture ci-dessous.) Plongez soigneusement le panier dans l'huile.
- ◆ Lors de la friture de beignes et de beignets, retournez le produit une seule fois pendant la cuisson.
- ◆ Lors de la cuisson de frites ou de rondelles d'oignons, secouez le panier plusieurs fois.

Directives d'utilisation du panier à friture


- ◆ Ajoutez de la nouvelle graisse alimentaire au besoin.

- ◆ Réglez la température souhaitée et laissez chauffer la graisse alimentaire à cette température.
- ◆ Faites frire des éléments qui sont de la même taille afin d'assurer une cuisson uniforme.
- ◆ Egouttez ou essuyez les aliments crus ou humides pour minimiser les éclaboussures lorsqu'ils sont plongés dans la graisse chaude.

INSTRUCTIONS DE FRITURE DE BASE

Il ne pas appuyer sur le commutateur de démarrage (START) avant que le niveau de l'huile ou de graisse alimentaire n'ait dépassé le dessus des éléments électriques (soit entre les lignes MIN et MAX sur la cuve). Ce faisant, il peut se produire un feu à inflammation instantanée qui causera des dommages à la friteuse et par conséquent en annulera la garantie.

AVIS

AVERTISSEMENT  **Graisse alimentaire solide : ne placez pas un bloc complet de graisse alimentaire solide sur l'un des éléments chauffant de la friteuse électrique. Cela peut endommager les éléments et augmenter la possibilité d'un feu à inflammation instantanée de la graisse.**

Si de la graisse alimentaire solide doit être utilisée dans une friteuse électrique, enlevez les paniers et les écrans ramasse-miettes et relevez les éléments de la cuve. Remplissez le fond de la cuve complètement avec de la graisse alimentaire solide, abaissez les éléments, puis compactez la graisse tout autour et au-dessus des éléments. Placez les paniers dans la cuve par-dessus la graisse compactée. Suivez les instructions de ce manuel pour faire fondre la graisse. Une fois que la graisse alimentaire est toute fondue et que la friteuse a atteint la température réglée, remplissez les paniers et reprenez la friture.

- ◆ Fermez le robinet de vidange.
- ◆ Remplissez la cuve de la friteuse de graisse alimentaire. Vulcan recommande d'utiliser de la graisse alimentaire liquide.
- ◆ Le niveau de graisse doit se situer entre les lignes MIN et MAX de la cuve de la friteuse.
- ◆ La graisse prend de l'expansion lorsqu'elle est chauffée. Ne remplissez pas la cuve de la friteuse au-dessus de la ligne MAX.
- ◆ Mettez l'interrupteur de fusion en mode de graisse liquide ou solide.
- ◆ Ajoutez de la nouvelle graisse alimentaire au besoin pour maintenir le niveau d'huile.

REMPLISSAGE DE LA CUVE DE GRAISSE ALIMENTAIRE

- ◆ Lavez tous les accessoires livrés avec l'appareil.
 - Rincez soigneusement la friteuse et les accessoires, puis vidangez la friteuse.
 - ◆ Asséchez la cuve complètement avec un linge doux.
- N'utilisez pas d'agent nettoyant à base de chlore ou de sulfate/sulfure.

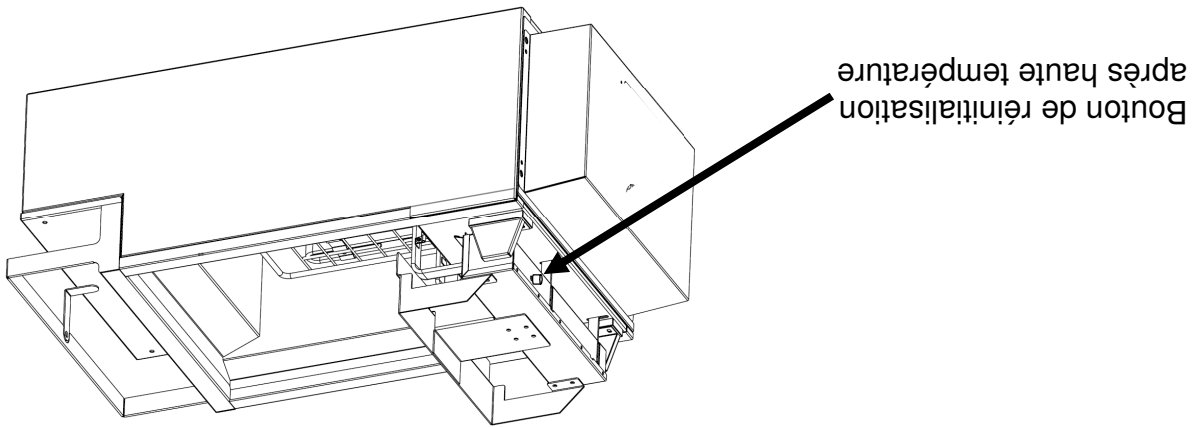
AVIS

Avant toute préparation de nourriture, retirez soigneusement l'huile protectrice de toutes les pièces de surface, et de l'intérieur de la cuve avec de l'eau chaude savonneuse pour les débarrasser de tout résidu de film, de poussière ou de débris.

Les appareils neufs sont essuyés à l'usine pour retirer tout signe visible de saleté, d'huile, de graisse, etc. restant du procédé de fabrication.

Nettoyage

AVANT LA PREMIÈRE UTILISATION



Si un état de surchauffe persiste, contacter le service de l'entretien Vulcan de votre localité.

Si déclenché, le dispositif de protection contre les hautes températures est équipé d'un bouton de réactivation manuelle sur lequel on doit appuyer pour réinitialiser et permettre à la friteuse de chauffer de nouveau. Le bouton de réinitialisation rouge est logé près du coin supérieur gauche à l'arrière de la friteuse.

Si la friteuse s'arrête en raison d'une surchauffe, ne la rallumez pas avant que la température de la graisse alimentaire soit en dessous de 300 °F (149 °C).

Si la graisse alimentaire devient surchauffée, un dispositif d'arrêt en cas de haute température ferme l'élément chauffant, ce qui éteint la friteuse.

ARRÊT EN CAS DE SURCHAUFFE

AVERTISSEMENT Le déversement de gras de friture chaud peut causer de graves brûlures. Ne déplacez pas la friteuse sans vidanger tous les gras de friture de la cuve.

AVERTISSEMENT L'huile et les pièces chaudes peuvent causer des brûlures. Soyez prudent lors de l'utilisation, du nettoyage et de l'entretien de la friteuse.

UTILISATION

Si un soubassement sur roues est utilisé, il faut verrouiller celles-ci une fois l'unité mise de niveau. Veuillez à ce que la friteuse soit de niveau de l'avant à l'arrière et d'un côté à l'autre dans la position d'installation finale. Vérifiez le niveau de la friteuse en plaçant un niveau sur le dessus de la friteuse une fois que les connexions électriques ont été effectuées.

MISE À NIVEAU DE LA FRITUSE

AVIS Pour protéger le câblage de connexion de l'alimentation électrique, un dispositif connecté en permanence ou câblé directement doit être installé au moyen d'un manchon de raccordement flexible avec les raccords appropriés. Pour chaque friteuse, une conduite d'alimentation triphasée capable de transporter les niveaux de kW requis à la tension nominale (208 et 240 V) de la friteuse est nécessaire. Reportez-vous à la plaque signalétique de la friteuse pour l'information reliée aux exigences électriques.

Placez la friteuse aussi près que possible de sa position finale. Branchez la ligne triphasée à X, Y et Z sur le bornier. Pour atteindre le bornier, retirez le couvercle de la boîte électrique de la friteuse.

procédure de verrouillage et étiquetage.

AVERTISSEMENT Débranchez l'alimentation électrique de la friteuse et suivez la

AVERTISSEMENT Les connexions électriques et de mise à la terre doivent être conformes au « *National Electrical Code* » et/ou aux autres codes locaux.

CONNEXIONS ELECTRIQUES

- ◆ Un dispositif de retenue doit y être attaché pour en limiter le déplacement.
- ◆ Une fois le dispositif de retenue installé, appliquez un cordon de silicone autour de tous les côtés de la friteuse qui entrent en contact avec le soubassement pour empêcher les liquides et les débris de s'accumuler sous la friteuse.
- ◆ La friteuse doit être installée à l'aide d'un raccord (non livré par Vulcan) conforme aux codes en vigueur.
- ◆ La friteuse doit être installée avec des moyens de restriction pour contrer la transmission de tension sur le raccord.
- ◆ Si jamais le dispositif de retenue était retiré, il faut couper l'alimentation électrique de la friteuse.
- ◆ Si la friteuse est installée sur un soubassement à roulettes sans cordon d'alimentation, elle doit être raccordée à la source d'alimentation par câblage fixe à conduit souple.

Friteuses montées sur des soubassements à roulettes

chaude d'éclabousser les opérateurs, la friteuse doit être fixée sur la surface du comptoir.

AVERTISSEMENT Pour prévenir son déplacement accidentel et empêcher l'huile

AVERTISSEMENT La friteuse doit être retenue pour empêcher son basculement et la projection de liquide chaud. Les moyens de retenue peuvent provenir de la façon dont elle est installée, comme par exemple son rattachement à un ensemble d'appareils voisins, ou bien en installant la friteuse dans une alcôve, ou encore en la fixant par d'autres moyens, tels que des attaches appropriées.

MONTAGE

- ◆ Les codes locaux
 - ◆ La norme CSA C22.1. Code canadien de l'électricité L4W 5N6.
- Au Canada :**
- ◆ Les codes des états et les codes locaux, ou en l'absence de codes locaux :
 - ◆ Le « National Electrical Code », ANSI/NFPA-70 (édition la plus récente). Vous pouvez en obtenir des exemplaires auprès de la « National Fire Protection Association », Batterymarch Park, Quincy, MA. 02169-7471.
- Aux Etats-Unis :**

La friteuse doit être installée conformément aux codes et normes suivantes :

CODES ET NORMES

- Dégagements**
- ◆ Dégagement minimal à partir d'une construction combustible :
6 po (15 cm) sur les côtés de la friteuse
6 po (15 cm) à l'arrière de la friteuse
 - ◆ Dégagement minimal à partir d'une construction incombustible :
0 po sur les côtés de la friteuse
0 po à l'arrière de la friteuse
 - ◆ Entre la friteuse et toute surface de cuisson à feu nus :
16 po (41 cm)
 - ◆ Laisser de l'espace pour l'entretien et le fonctionnement.

_____ : **N° série :**

_____ : **Appareil :**

_____ : **N° de modèle de la friteuse :**

N'utilisez pas la porte ou sa poignée pour soulever la friteuse.
 Avant l'installation de la friteuse, assurez-vous que les services électriques sont conformes aux spécifications de la plaque signalétique de la friteuse, située à l'intérieur du panneau de porte.
 Inscrivez les numéros de modèle, d'appareil et de série de votre friteuse dans l'espace prévu ci-dessous à des fins de référence ultérieure. Ces renseignements sont inscrits sur la plaque signalétique de la friteuse.

INSTALLATION

Plages de tension : 208 V, triphasée – 50/60 Hz
 240 V, triphasée – 50/60 Hz

MODÈLE	KW par cuve de friture	Largeur totale du système en po (cm)	Quantité de graisse alimentaire en lb (kg) par cuve de friture
CEF40	17	18 po (46 cm)	40 (18 kg)
CEF75	24	27 po (69 cm)	75 (34 kg)

CAPACITÉ DES FRITUSES

INTRODUCTION GÉNÉRALITÉS

Les friteuses Vulcan sont fabriquées avec de la main-d'œuvre qualifiée et des matériaux de qualité. Une installation, une utilisation et un entretien appropriés favoriseront des années de performance satisfaisante.

Avant d'installer la friteuse, lisez ce manuel en entier et suivez attentivement toutes les instructions.

Ce manuel s'applique au modèle figurant sur la page de couverture. Les procédures décrites dans ce manuel s'appliquent à tous les modèles sauf indication contraire. Les images et les illustrations peuvent représenter n'importe quel modèle sauf si elles doivent se rapporter à un modèle spécifique.

COMMANDE DE PIÈCES

Les clients peuvent commander des pièces directement de leur centre de service autorisé. Si vous ne le connaissez pas, appelez le Service à la clientèle de Vulcan au 800-814-2028.

Pour accélérer votre commande, indiquez le numéro de modèle, le numéro de série, les caractéristiques électriques, la pièce nécessaire, le numéro de référence de l'article (si connu) et la quantité nécessaire.

DÉBALLAGE

Cette friteuse a été inspectée avant de quitter l'usine. En acceptant sa livraison, le transporteur prend l'entière responsabilité de la livrer en toute sécurité. Immédiatement après la livraison, vérifiez si elle a effectivement subi des dommages pendant le transport.

S'il s'avère que la friteuse a été endommagée, veuillez suivre les procédures suivantes :

1. Le transporteur doit être averti dans les 5 jours ouvrables suivant la réception.
2. Les gens du terminus local du transporteur doivent être avisés immédiatement lors de la découverte des dommages (indiquez l'heure, la date et, à qui vous avez parlé) et assurez le suivi en confirmant les faits par écrit ou par communication électronique.
3. Pour fins d'inspection, tout le matériel d'emballage original doit être conservé.
4. La friteuse ne doit pas avoir été déplacée, installée ou modifiée.
5. Avisez le Service à la clientèle de Vulcan immédiatement en appelant au (800) 814-2028.

Assurez-vous que les éléments suivants ont été inclus :

- ◆ Support à panier
- ◆ Brosse à cuve
- ◆ Deux paniers à friture (2) par cuve de friture.
- ◆ Tige de nettoyage
- ◆ Rallonge de tuyau de vidange

2	RENSEIGNEMENTS DE SÉCURITÉ IMPORTANTS.....
4	INTRODUCTION.....
4	GÉNÉRALITÉS.....
4	COMMANDE DE PIÈCES.....
4	DÉBALLAGE.....
5	CAPACITÉ DES FRITEUSES.....
5	INSTALLATION.....
6	CODES ET NORMES.....
6	MONTAGE.....
7	CONNEXIONS ÉLECTRIQUES.....
7	MISE À NIVEAU DE LA FRITEUSE.....
7	UTILISATION.....
8	ARRÊT EN CAS DE SURCHAUFFE.....
8	AVANT LA PREMIÈRE UTILISATION.....
8	NETTOYAGE.....
9	REMPLISSAGE DE LA CUVE DE GRAISSE ALIMENTAIRE.....
9	INSTRUCTIONS DE BASE POUR LA FRITURE.....
10	DIRECTIVES D'UTILISATION DU PANIER À FRITURE.....
10	PROLONGATION DE LA DURÉE DE LA GRAISSE ALIMENTAIRE.....
11	ALLUMAGE DE LA FRITEUSE.....
12	ARRÊT DE LA FRITEUSE.....
12	ARRÊT PROLONGÉ.....
12	FILTRAGE DE L'HUILE.....
13	VIDANGE DE LA CUVE.....
13	PROCÉDURE D'ÉBOUILLANTAGE.....
14	NETTOYAGE.....
14	CHAQUE JOUR.....
15	ENTRETIEN.....
15	SERVICE AUX ÉTATS-UNIS ET AU CANADA.....
15	EN AUSTRALIE.....
16	DÉPANNAGE.....
16	TABLEAU DE DÉPANNAGE.....

TABLE DES MATIÈRES

RENSEIGNEMENTS DE SÉCURITÉ IMPORTANTS

CE MANUEL A ÉTÉ ÉLABORÉ POUR DU PERSONNEL QUALIFIÉ EN VUE DE L'INSTALLATION D'UN APPAREIL ÉLECTRIQUE, DE LA MISE EN MARCHÉ INITIALE SUR LES LIEUX ET DES AJUSTEMENTS DE L'APPAREIL COUVERTS DANS CE MANUEL.

MESURE DE SÉCURITÉ

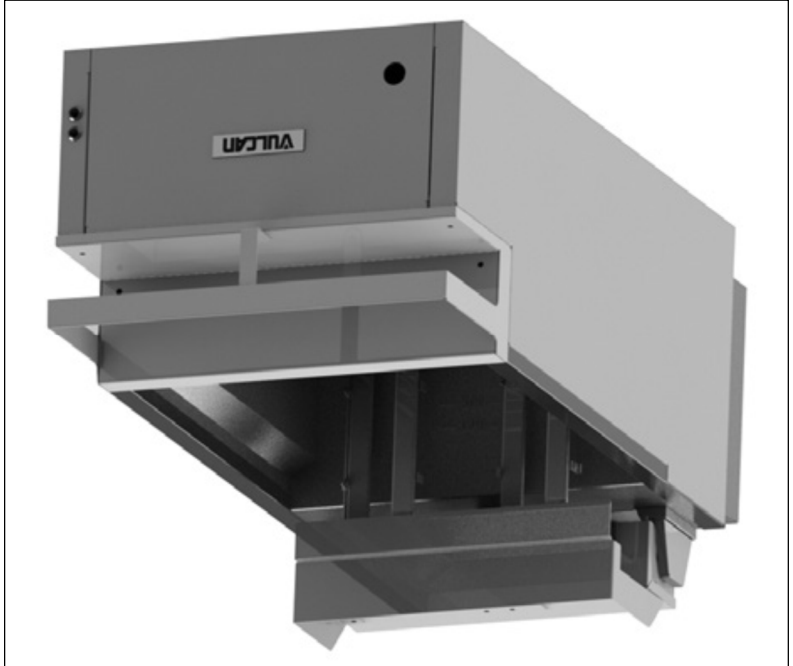


NE PAS ENTREPOSER NI UTILISER D'ESSENCE NI AUTRES VAPEURS OU LIQUIDES INFLAMMABLES À PROXIMITÉ DE CET APPAREIL OU DE TOUT AUTRE APPAREIL.

L'installation, le réglage, la modification, la réparation ou l'entretien incorrects de cet appareil peuvent causer des dommages matériels, des blessures ou la mort. Lire attentivement les instructions d'installation, de fonctionnement et d'entretien avant de procéder à son installation ou entretien.



Pour obtenir des renseignements supplémentaires au sujet de Vulcan ou pour trouver un fournisseur de pièces et service autorisé dans votre région, veuillez visiter notre site web à www.vulcanequipment.com



MODELES:
CEFF75
CEFF40

GUIDE D'INSTALLATION ET D'UTILISATION FRITUSES ELECTRIQUES À POSER SUR COMTOIR GAMME CEF

DES ALIMENTS CUITS À LA PERFECTION.

