

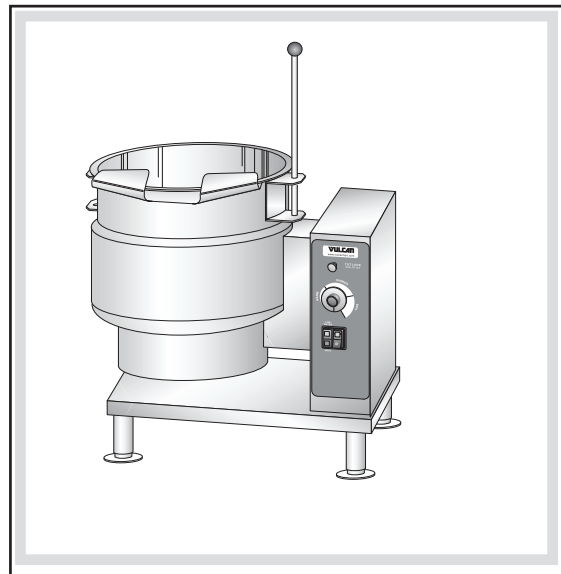
# **VULCAN**

## *CATALOG OF REPLACEMENT PARTS*

### *ELECTRIC COUNTERTOP TILTING KETTLE*

#### MODELS

K6ETT	ML-136067
K12ETT	ML-136068
K20ETT	ML-136069



**For additional information on Vulcan-Hart Company or to locate an authorized parts and service provider in your area, visit our website at [www.vulcanequipment.com](http://www.vulcanequipment.com)**

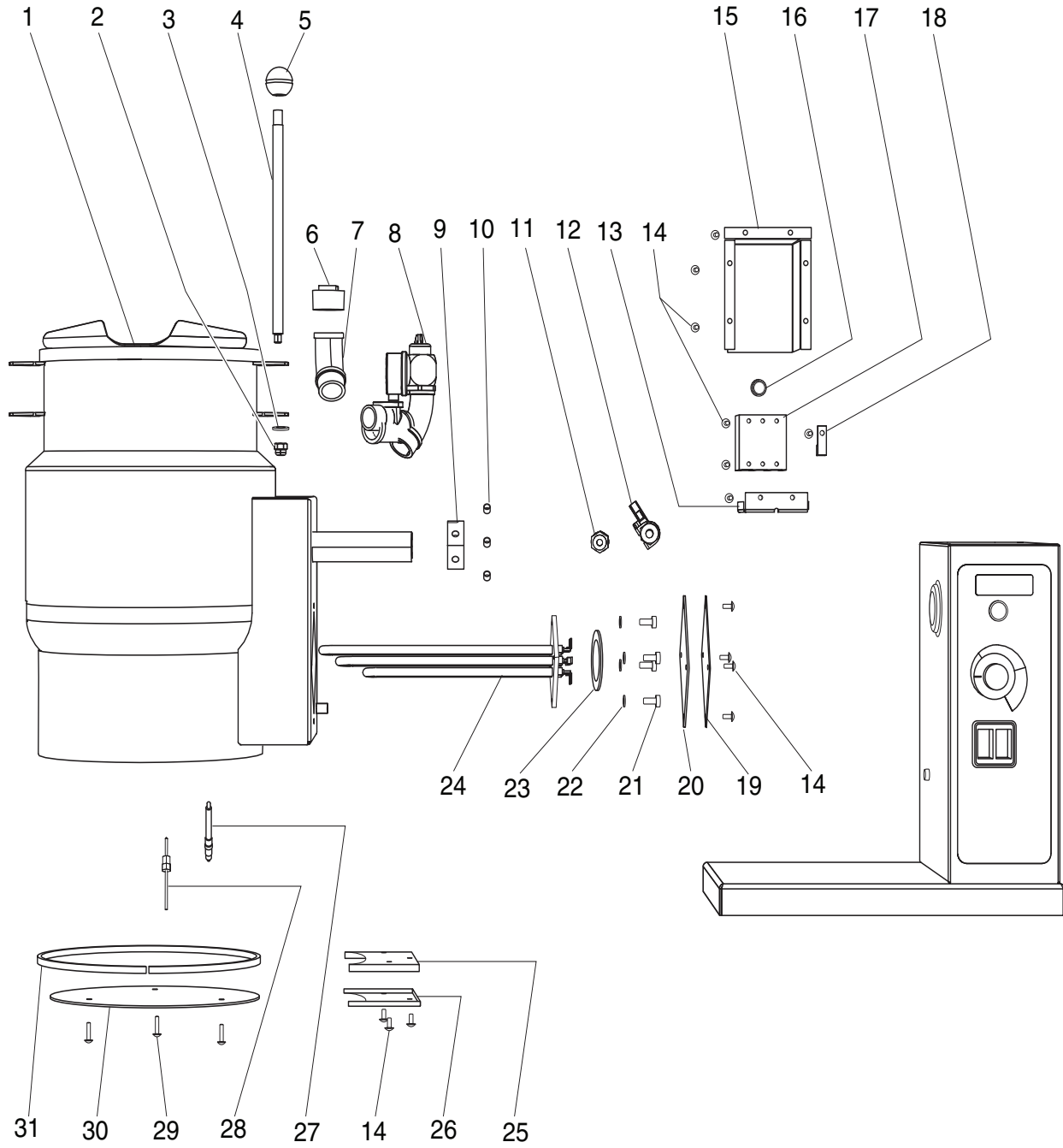


Figure 1

**K6ETT & K12ETT ASSEMBLY**

## REPLACEMENT PARTS LIST

## K6ETT &amp; K12ETT

PART NO.	NAME OF PART	AMT.
	<b>Figure 1</b>	
1	00-855999-00001 Assembly, Kettle K6ETT .....	1
	00-856101-00002 Assembly, Kettle K12ETT .....	1
2	NS-049-04 Nut, Acorn $\frac{3}{8}$ -16 .....	1
3	WL-006-27 Washer, .391 X .750 X .062 .....	1
4	00-856017-00001 Tilt Handle .....	1
5	00-853285-00001 Knob, Press On .....	1
6	FP-028-15 Plug, Pipe $\frac{1}{2}$ .....	1
7	FP-015-17 Elbow, Pipe $\frac{1}{2}$ X 90° Street .....	1
8	00-855954-00001 Pressure Gauge .....	1
	00-855968-00001 Pressure Relief Valve 50psi .....	1
	FP-015-17 Elbow Pipe $\frac{1}{2}$ X 90° .....	1
	FP-040-42 Pipe $\frac{1}{2}$ X 1 $\frac{1}{8}$ .....	1
	FP-069-06 Tee, Pipe $\frac{1}{2}$ X $\frac{1}{2}$ X $\frac{1}{4}$ .....	1
9	00-855975-00001 Collar, Pivot Stop .....	1
10	SC-047-42 Screw, Set $\frac{3}{8}$ -16 X $\frac{1}{2}$ .....	3
11	FP-090-36 Coupling, Anchor 1/8 Inch .....	1
12	00-856045-00001 Switch, Pressure .....	1
13	00-856528-00001 Bracket, Power Supply .....	1
14	SC-066-06 Screw, Machine 10-24 X $\frac{1}{2}$ (Truss Cross) .....	A/R
15	00-856529-00001 Cover, Terminal Block .....	1
16	FE-016-32 Bushing, Electric Snap .....	1
17	00-410472-00008 Block, Terminal 3-Pole .....	1
18	FE-023-88 Lug, Ground .....	1
19	00-857113-00001 Cover, Heater Access K6ETT .....	1
	00-857129-00001 Cover, Heater Access K12ETT .....	1
20	00-857114-00001 Gasket, Heater Access K6ETT .....	1
	00-857130-00001 Gasket, Heater Access K12ETT .....	1
21	SC-041-11 Screw, Cap $\frac{5}{16}$ -18 X $\frac{3}{4}$ .....	A/R
22	WL-006-23 Washer, Lock, Helical $\frac{5}{16}$ .....	A/R
23	00-855940-00001 Seal, Heating Element, K6ETT .....	1
	00-857131-00001 Seal, Heating Element, K12ETT .....	1
24	00-856572-00001 Heating Element, K6ETT 208/240VAC .....	1
	00-856572-00002 Heating Element, K6ETT 480VAC .....	1
	00-856572-00003 Heating Element, K6ETT 380VAC .....	1
	00-856573-00001 Heating Element, K12ETT 208/240VAC .....	1
	00-856573-00002 Heating Element, K12ETT 480VAC .....	1
	00-856573-00003 Heating Element, K12ETT 380VAC .....	1
25	00-856025-00001 Seal, Heating Element Bottom Cover K6ETT .....	1
	00-856098-00001 Seal, Heating Element Bottom Cover K12ETT .....	1
26	00-856024-00001 Cover, Heating Element Bottom K6ETT .....	1
	00-856099-00001 Cover, Heating Element Bottom K12ETT .....	1
27	00-855856-00001 Probe, Water Level .....	1
28	00-856042-00001 Sensor, Temperature .....	1
29	SC-093-27 Screw, Machine 10-24 X $\frac{7}{8}$ (Truss Cross) .....	3
30	00-856021-00001 Bottom Cover, Kettle K6ETT .....	1
	00-856095-00001 Bottom Cover, Kettle K12ETT .....	1
31	00-856022-00001 Seal, Bottom Cover K6ETT .....	1
	00-856022-00002 Seal, Bottom Cover K12ETT .....	1

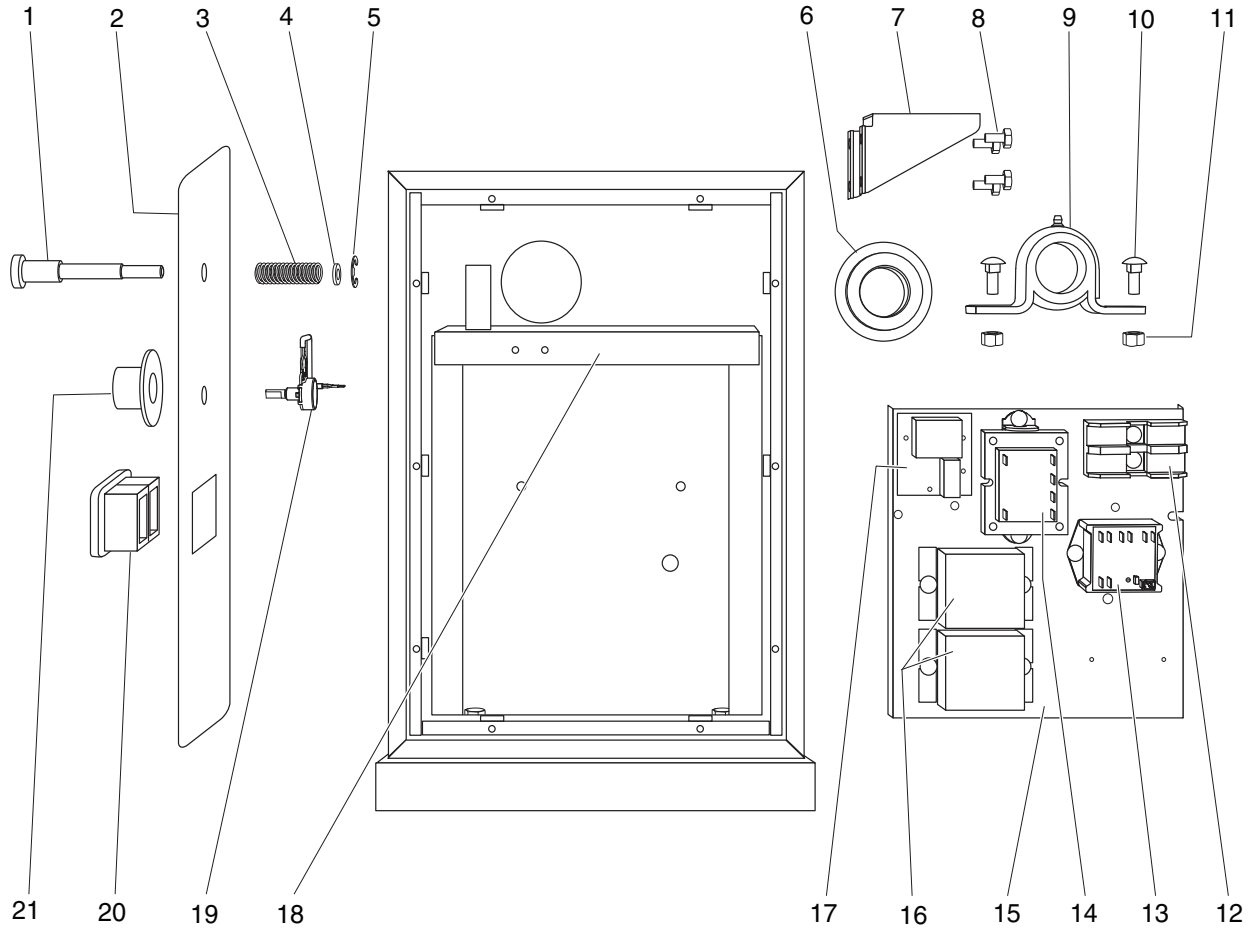


Figure 2

**K6ETT & K12ETT CONTROL PANEL**

## REPLACEMENT PARTS LIST

## K6ETT &amp; K12ETT CONTROL PANEL

PART NO.	NAME OF PART	AMT.
Figure 2		
1	00-856026-00001 Pivot Stop, Control Box .....	1
2	00-855801-00001 Overlay, KxxETT .....	1
3	00-855977-00001 Spring, Compression .....	1
4	WS-006-44 Washer .391 X .875 X .062 .....	2
5	RR-006-22 Ring, Retaining 1/4 Inch .....	1
6	00-855909-00001 Seal, Shaft .....	1
7	00-855902-00001 Plate, Faucet Mounting .....	1
8	SC-041-50 Screw, Cap 1/4-20 X 1/2 Hex .....	4
9	00-855901-00001 Bearing .....	2
10	SC-082-38 Bolt, Square Neck 3/8-16 X 1 .....	4
11	NS-015-13 Nut, Hex 3/8-16 SST .....	4
12	00-855028-00001 Block, Fuse .....	1
13	00-857112-00001 Controller, Temperature .....	1
14	00-294500-00033 Transformer 60VA, 50/60 Hz .....	1
15	00-855904-00001 Panel, Electrical Controls .....	1
16	00-840115 Contactor, 25-amp .....	2
17	00-844070-00001 Control, Cal Low Water .....	1
18	00-857120-00001 Weldment, Bearing Support .....	1
19	00-857389-00001 Potentiometer, 24mm .....	1
20	00-855797-00005 Switch Assy. ....	1
21	00-854647-00001 Knob .....	1
Not Shown:		
SD-019-29	Screw, Drive Type B 6-20 X 1/2 .....	A/R
00-854766-00001	Speed Nut, J Type - 1024 .....	A/R
00-857123-00001	Cover, Control Box .....	1
00-856574-00001	Seal Kit, Control Box K6ETT and K12ETT .....	1

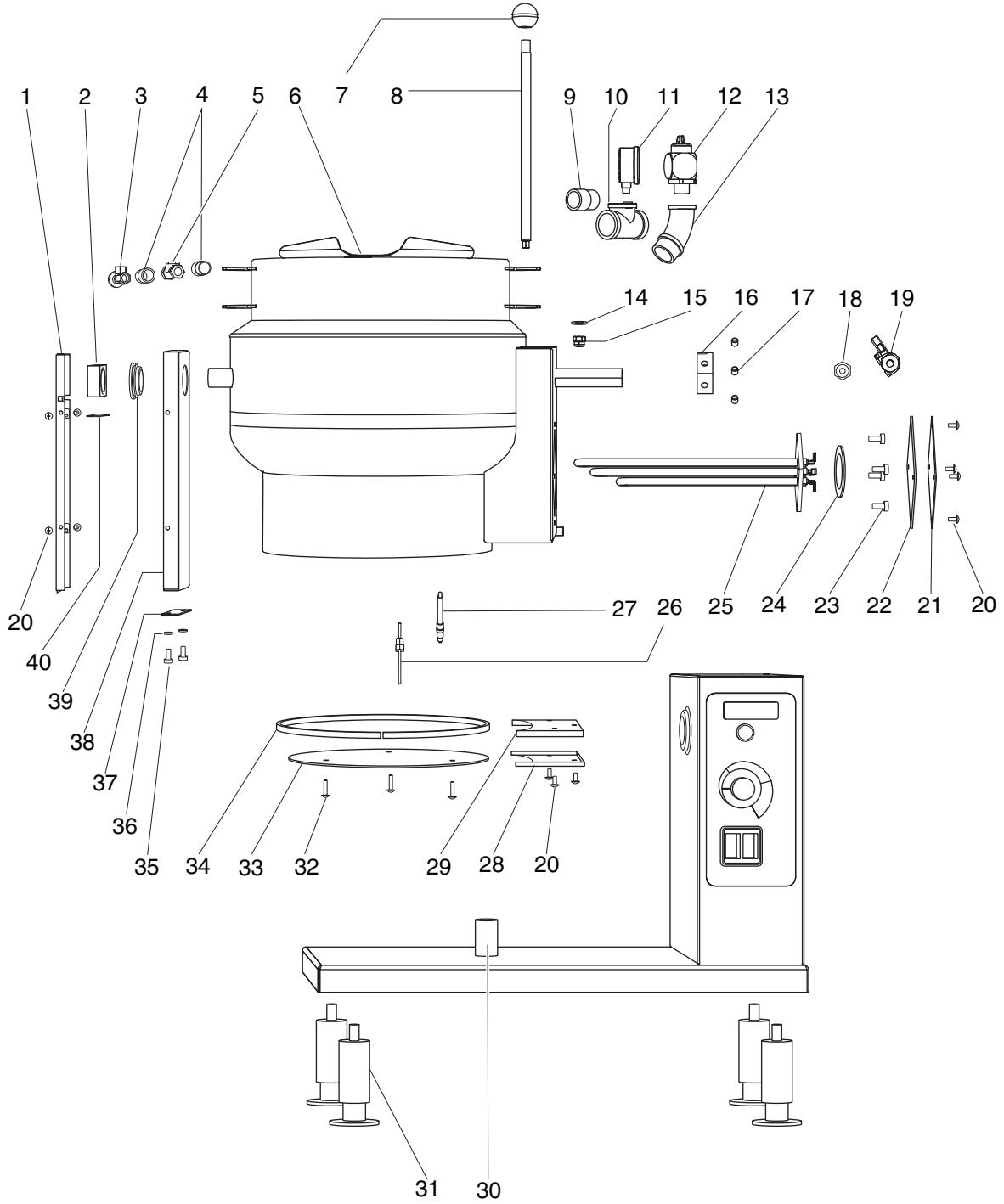


Figure 3

K20ETT

## REPLACEMENT PARTS LIST

## K20ETT

PART NO.	NAME OF PART	AMT.
	<b>Figure 3</b>	
1	00-855809-00001 Assy., Cover, Kettle Support .....	1
2	00-855808-00001 Assy., Bearing Housing .....	1
3	00-833501 Valve, 1/2 Inch Angle .....	1
4	FP-054-08 Pipe 1/2 X 1.125 .....	2
5	00-833648-00002 Valve, Swing Check .....	1
6	00-855912-00001 Assembly, Kettle K20ETT .....	1
7	00-853285-00001 Knob, Press On .....	1
8	00-855936-00001 Tilt Handle .....	1
9	FP-040-42 Pipe, 1/2 X 1.125 .....	1
10	FP-069-06 Tee, Pipe 1/2 X 1/2 X 1/4 .....	1
11	00-855954-00001 Gauge, Pressure .....	1
12	00-855968-00001 Valve, Relief .....	1
13	FP-015-17 Elbow Pipe 1/2 X 90° Street .....	1
14	WL-006-35 Washer, .391 X .750 X .062 .....	1
15	NS-049-14 Nut, Acorn 1/2-16 .....	1
16	00-855975-00001 Collar, Pivot Stop .....	1
17	SC-047-42 Screw, Set 3/8-16 X 1/2 .....	3
18	FP-090-36 Coupling, Anchor 1/8 Inch .....	1
19	00-856045-00001 Switch, Pressure .....	1
20	SC-066-06 Screw, Machine 10-24 X 1/2 (Truss Cross) .....	A/R
21	00-857129-00001 Cover, Heater Access .....	1
22	00-857130-00001 Gasket, Heater Access .....	1
23	SC-041-11 Screw, Cap 5/16-18 X 3/4 .....	A/R
24	00-857131-00001 Seal, Heating Element .....	1
25	00-856573-00001 Heating Element, K20ETT 208/240VAC .....	1
	00-856573-00002 Heating Element, K20ETT 480VAC .....	1
	00-856573-00003 Heating Element, K20ETT 380VAC .....	1
26	00-856042-00001 Sensor, Temperature .....	1
27	00-855856-00001 Probe, Water Level .....	1
28	00-855961-00001 Cover, Heating Element Bottom .....	1
29	00-855962-00001 Seal, Heating Element Bottom Cover .....	1
30	00-857355-00001 Support, Kettle .....	1
31	00-881526 Leg and Flange Foot 6 Inch Adjustable .....	4
32	SC-093-27 Screw, Machine 10-24 X 7/8 (Truss Cross) .....	3
33	00-855958-00001 Bottom Cover, Kettle .....	1
34	00-856022-00003 Cover, Bottom Seal K20ETT .....	1
35	SC-041-28 Screw, Cap 3/8-16 X 3/4 Hex .....	2
36	WL-006-27 Washer, Lock, Helical 3/8 .....	4
37	00-856576-00001 Shim, Kettle Support .....	1
38	00-855804-00001 Support, Kettle .....	1
39	00-855909-00001 Seal, Shaft .....	1
40	00-855805-00001 Support, Bearing .....	1
	Not Shown	
	00-855974-00001 Nylon Bumper .....	1

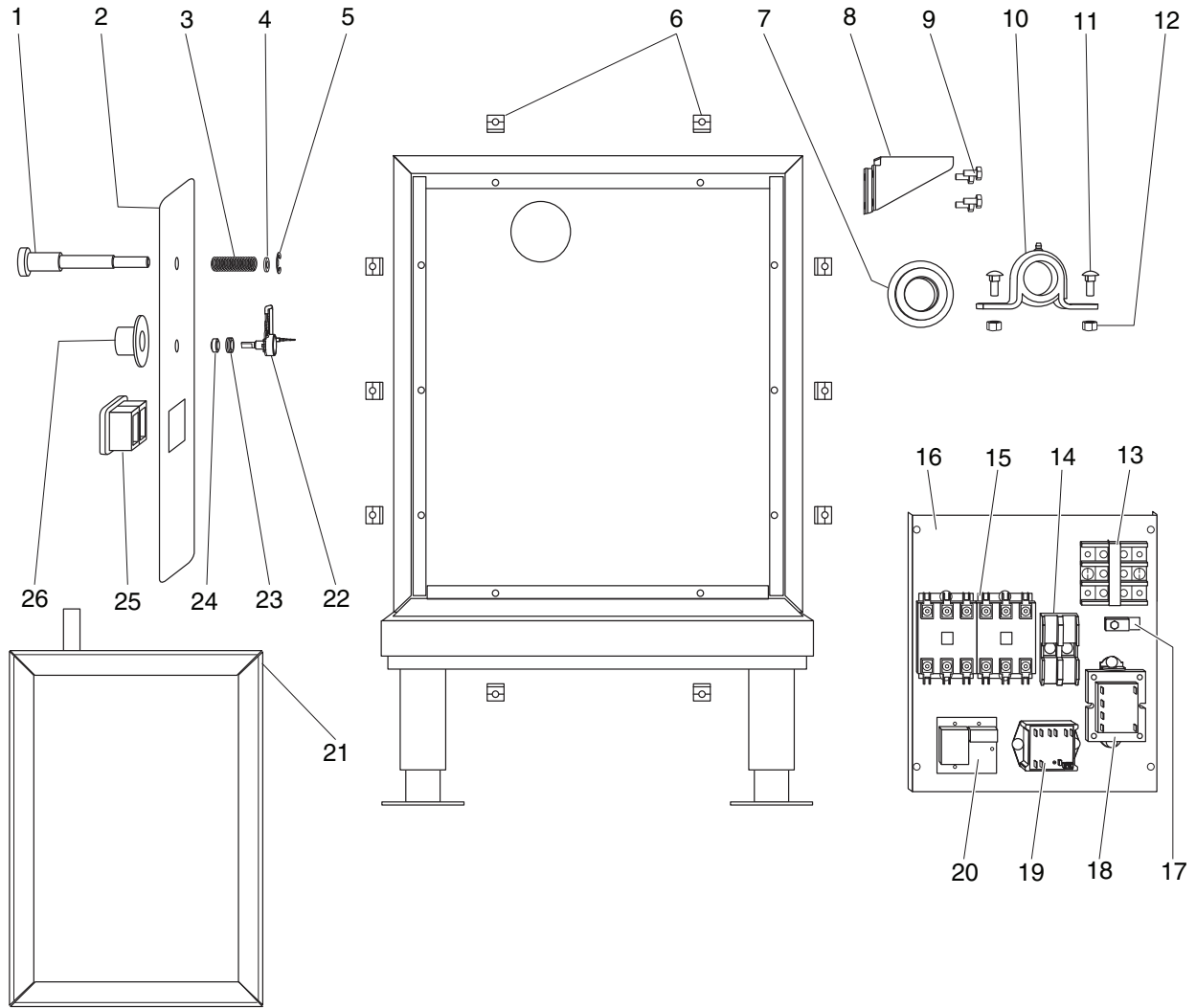


Figure 4

**K20ETT CONTROL PANEL**



## REPLACEMENT PARTS LIST

## K20ETT CONTROL PANEL

PART NO.	NAME OF PART	AMT.
<b>Figure 4</b>		
1	00-857359-00001 Pivot Stop, Control Box .....	1
2	00-855801-00001 Overlay, KxxETT .....	1
3	00-855977-00001 Spring, Compression .....	1
4	WS-008-48 Washer .391 X .875 X .062 .....	2
5	RR-012-34 Ring, Retaining 1/4 Inch .....	1
6	00-854766-00001 Speed Nut, J Type – 1024 .....	10
7	00-855909-00001 Seal, Shaft .....	1
8	00-855902-00001 Plate, Faucet Mounting .....	1
9	SC-041-50 Screw, Cap 1/4-20 X 1/2 Hex .....	4
10	00-855901-00001 Bearing .....	2
11	SC-082-38 Bolt, Square Neck 3/8-16 X 1 .....	4
12	NS-015-13 Nut, Hex 3/8-16 SST .....	4
13	00-410472-00008 Terminal Block .....	1
14	00-855028-00001 Block, Fuse .....	1
15	00-857112-00001 Controller, Temperature .....	1
16	00-856149-00001 Panel, Electrical Controls .....	1
17	FE-023-88 Lug, Ground .....	1
18	00-294500-00033 Transformer 60VA, 50/60 Hz .....	1
19	00-840115 Contactor, 25-amp .....	2
20	00-844070-00001 Control, Cal Low Water .....	1
21	00-855896-00001 Weldment, Bearing Support .....	1
22	00-857389-00001 Potentiometer, 24mm .....	1
23	00-854667-00001 Bracket, Offset .....	1
24	00-854693-00001 Rotary Shaft Seal .....	1
25	00-855797-00005 Switch Assy. ....	1
26	00-854647-00001 Knob .....	1
Not Shown:		
SD-019-29	Screw, Drive Type B 6-20 X 1/2 .....	A/R
00-855911-00001	Cover, Control Box .....	1
00-856575-00001	Control Box Seal Kit .....	1

**RECOMMENDED SPARE PARTS LIST**

<b>PART NO.</b>	<b>NAME OF PART</b>	<b>AMT.</b>
00-855968-00001	Relief Valve, 50 Lb. ....	2
00-855797-00005	Power Switch Assy. ....	2
00-844070-00001	Liquid Level Control ....	2
00-840115	Contactactor ....	2
00-855940-00001	Element Gasket K6ETT ....	2
00-857131-00001	Element Gasket K12ETT or K20ETT ....	2
00-856042-00001	Temperature Sensor ....	2
00-857112-00001	Temperature Controller ....	2
00-857389-00001	Potentiometer ....	2
00-856572-00001	Element, K6ETT 208/240V ....	1
00-856572-00002	Element, K6ETT 480V ....	1
00-856573-00001	Element, K12ETT or K20ETT 208/240V ....	1
00-856573-00002	Element, K12ETT or K20ETT 480V ....	1
00-854647-00001	Thermostat Knob ....	2
00-855856-00001	Water Level Probe ....	2

**NOTES**

**NOTES**