

OVENS

VULCAN**VC5E SERIES**
SINGLE DECK ELECTRIC CONVECTION OVEN**Model VC5ED**

Shown with legs and optional casters

**SPECIFICATIONS**

Single section, electric convection oven, Vulcan Model No. (VC5ED). Stainless steel front, sides and top. Painted legs. Independently operated removable stainless doors with double pane windows. Non-sag insulation applied to top, rear, sides, bottom. Porcelain enamel on steel oven interior measures 29" w x 22 $\frac{1}{8}$ " d x 20" h. One interior oven light. Five nickel plated oven racks measure 28 $\frac{1}{4}$ " x 20 $\frac{1}{2}$ ". Eleven position nickel plated rack guides with positive rack stops. Heated by electric solid sheath elements rated at 12.0 KW. Furnished with a two speed $\frac{1}{2}$ H.P. oven blower motor. Oven cool switch for rapid cool down. 208/240V 60Hz 1 or 3 phase.

Exterior Dimensions:

40.1" w x 40" d (includes motor & door handles)

37" d (includes motor only)

54" h on 23 $\frac{3}{4}$ " legs (add 2" if on casters)

- VC5ED** Solid state temperature dial controls adjust from 150° to 500°F with digital display enhancement. 5-hour timer with audible alarm.

STANDARD FEATURES

- Independently operated removable stainless steel doors with double pane windows.
- Gentle Bake mode selector switch.
- On-board diagnostics for easy servicing
- Five nickel plated grab-and-go oven racks with eleven rack positions.
- Stainless steel front, sides and top.
- Painted legs.
- 12.5 total KW.
- $\frac{1}{2}$ H.P. two speed oven blower-motor.
- Moisture vent.
- Oven cool switch for rapid cool down.
- Porcelain enamel on steel oven interior.
- One year limited parts and labor warranty.
- Three year limited warranty on doors.

OPTIONS

- Stainless steel legs.
- Casters.
- 480V/60 Hz/1 or 3 phase.
- Second year extended limited parts and labor warranty.

ACCESSORIES

- Stainless steel rear motor enclosure.
- Extra oven rack(s).
- Rack hanger(s).
- Stainless steel drip pan.
- Stainless steel open stand with adjustable rack supports, stainless steel shelf and choice of adjustable feet or casters.
- Down draft flue diverter for direct vent connection.
- Heat shields for oven sides.

VULCAN

a division of ITW Food Equipment Group LLC

P.O. Box 696 ■ Louisville, KY 40201 ■ Toll-free: 1-800-814-2028 ■ Local: 502-778-2791 ■ Quote & Order Fax: 1-800-444-0602



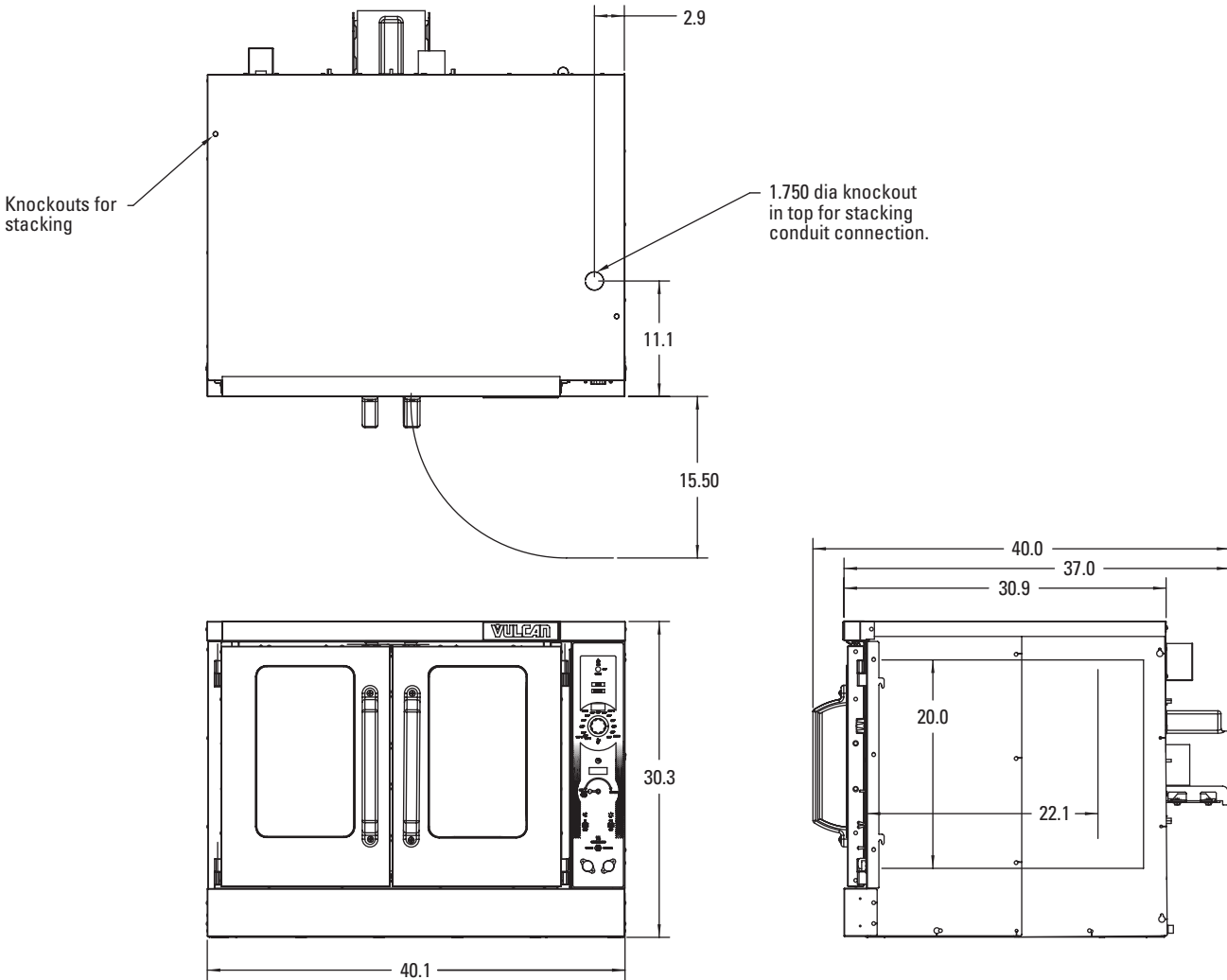
VC5E SERIES
SINGLE DECK ELECTRIC CONVECTION OVEN

OPTIONAL VOLTAGES

480 volt, 60 Hz, 3 phase.

CLEARANCES

	Combustible	Non-Combustible
Rear	2"	2"
Right Side	4"	4"
Left Side	1"	1"



MODEL NO.	TOTAL CONN. KW	3 PHASE LOAD KW PER PHASE			NOMINAL AMPS PER LINE WIRE									WEIGHT					
					3 PHASE													1 PHASE	
					208 VOLT			240 VOLT			480 VOLT			208V	240V	LBS.	KG		
		X-Y	Y-Z	X-Z	X	Y	Z	X	Y	Z	X	Y	Z						
VC5E	12.5	4	4	4.5	35	33	35	33	29	33	14	15	15	60	52	337	153	286	130



a division of ITW Food Equipment Group LLC

P.O. Box 696 ■ Louisville, KY 40201 ■ Toll-free: 1-800-814-2028 ■ Local: 502-778-2791 ■ Quote & Order Fax: 1-800-444-0602

NOTE: In line with its policy to continually improve its products, Vulcan reserves the right to change materials and specifications without notice.