



CATALOG OF REPLACEMENT PARTS

GAS CONVECTION STEAMERS

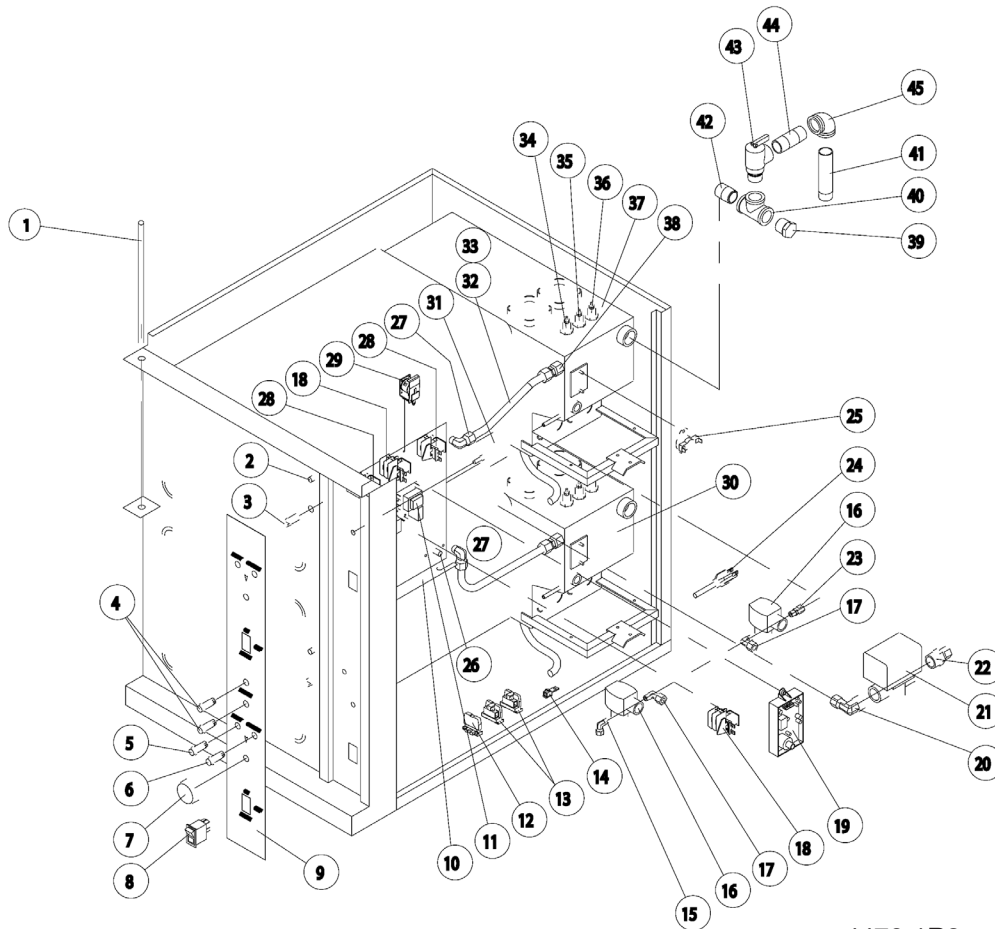
MODELS

| | |
|---------|-----------|
| VSX5G | ML-114946 |
| VSX5GC | ML-114947 |
| VSX7GC | ML-114948 |
| VSX10GC | ML-114949 |



For additional information on Vulcan-Hart or to locate an authorized parts and service provider in your area, visit our website at www.vulcanhart.com

GAS CONVECTION STEAMERS REPLACEMENT PARTS



4476-1R3

| ILLUS. PL- 4476-1R3 | PART NO. | NAME OF PART | AMOUNT | | |
|------------------------|-----------------|----------------------------------|--------|-------|--------|
| | | | VSX5G | VSX7G | VSX10G |
| 1 | 00-851004 | Hinge Rod | 1 | | |
| | 00-851815 | Hinge Rod | | 1 | |
| | 00-851816 | Hinge Rod | | | 1 |
| 2 | 00-842049 | Door Switch | 1 | 1 | 2 |
| | 00-850077 | Switch Actuator | 1 | 2 | 2 |
| 3 | 00-840496 | Striker | 1 | 2 | 2 |
| | 00-844533 | Washer | 1 | 2 | 2 |
| | 00-850075 | Lock Washer | 1 | 2 | 2 |
| | 00-850076 | Hex Nut | 1 | 2 | 2 |
| | 00-851410 | Washer | 1 | 2 | 2 |
| 4 | 00-840507 | Pilot Light - Green (120V) | 1 | 2 | 2 |
| 5 | 00-851072 | Pilot Light - Green (28V) | 1 | 2 | 2 |
| 6 | 00-844367-00055 | Pilot Light - Red | 1 | 2 | 2 |
| 7 | 00-843781-00003 | Dial - 60 Minutes | 1 | 2 | 2 |
| | 00-844032-00001 | Dial - 120 Minutes | 1 | 2 | 2 |
| 8 | 00-855456 | Power Switch | 1 | 2 | 2 |
| 9 | 00-855139 | Control Decal | 1 | | |
| | 00-855140 | Control Decal | | 1 | |
| | 00-855141 | Control Decal | | | 1 |
| 10 | 00-851050 | Componet Mounting Board | 1 | 2 | 2 |
| 11 | 00-852984 | Level Control 10K OHM | 1 | 2 | 2 |
| 12 | 00-843969 | End Section | 1 | 1 | 1 |
| 13 | 00-840511 | Terminal Block | 2 | 2 | 2 |
| 14 | 00-844367-00008 | Ground Lug | 1 | 1 | 1 |
| 15 | 00-850010 | Elbow 1/4 C x 1/8 MPT | 1 | 2 | 2 |

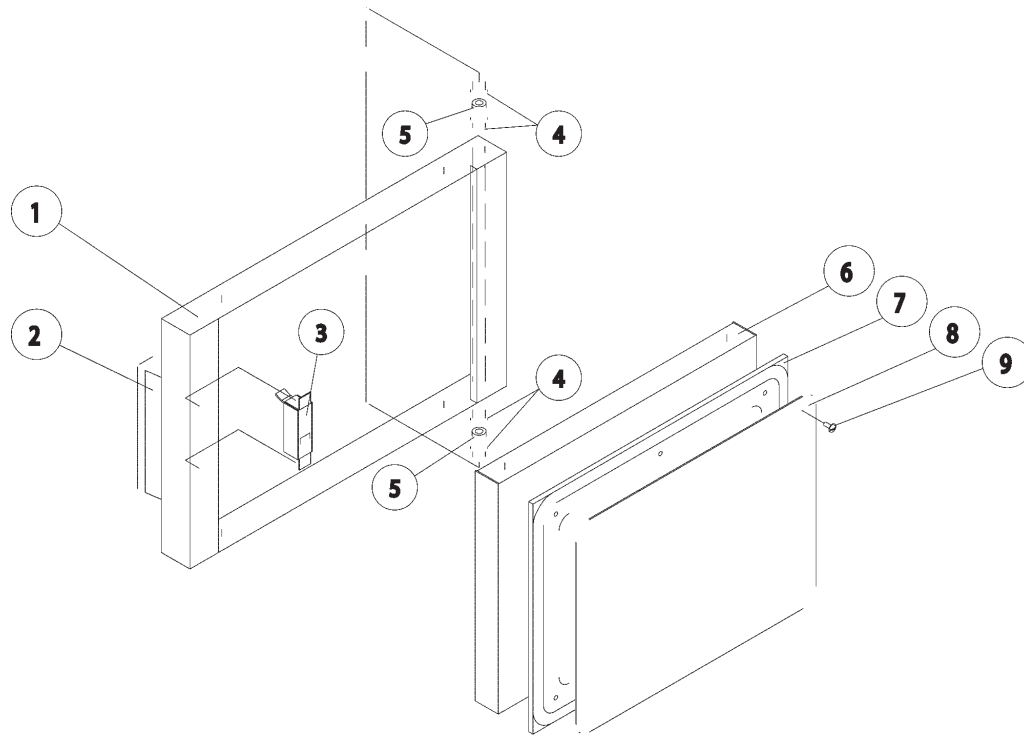
GAS CONVECTION STEAMERS REPLACEMENT PARTS

| ILLUS. PL- 4476-1R3 | PART NO. | NAME OF PART | AMOUNT | | |
|------------------------|-----------------|---|--------|-------|--------|
| | | | VSX5G | VSX7G | VSX10G |
| 16 | 00-853339 | Solenoid Valve | 2 | 4 | 4 |
| 17 | 00-851563 | Elbow 3/8 C c 1/8 MPT | 2 | 4 | 4 |
| 18 | 00-851071 | Relay 120 V | 1 | 2 | 2 |
| 19 | 00-853486 | Ignition Module, Direct Spark | 1 | 2 | 2 |
| | 00-851540 | Ignition Module, Glow Coil | 1 | 2 | 2 |
| 20 | 00-850013 | Elbow 1/2 C x 3/4 MPT | 1 | 2 | 2 |
| 21 | 00-836931 | Blowdown Solenoid | 1 | 2 | 2 |
| 22 | 00-854333 | Connector 5/8 C x 3/4 MPT | 1 | 2 | 2 |
| 23 | FP-078-49 | Connector 1/4 C x 1/8 MPT | 1 | 2 | 2 |
| 24 | 00-851389 | Power Cord Set 115V | 1 | 1 | 1 |
| 25 | 00-853105 | Hi Limit Sensor | 1 | 2 | 2 |
| 26 | 00-881973 | Thermostat Operating | 1 | 2 | 2 |
| 27 | 00-853927 | Elbow 1/2 C x 1/4 MPT | 2 | 4 | 4 |
| 28 | 00-843947 | Relay 120V | 2 | 4 | 4 |
| 29 | 00-851062 | Buzzer | 1 | 2 | 2 |
| 30 | 00-855098 | Generator Tank | | 1 | 1 |
| 31 | 00-411690-00001 | Timer, 60 Minutes | 1 | 2 | 2 |
| | 00-411690-00007 | Timer, 120 Minutes | 1 | 2 | 2 |
| 32 | 00-853925 | Right Hand Steam Jet Tube | 1 | | 2 |
| | 00-853969 | Right Hand Steam Jet Tube Bottom | | 1 | |
| | 00-853968 | Steam Jet Tube - Right Hand & Left Hand Top | | 2 | |
| 33 | 00-853926 | Left Hand Steam Test Tube | 1 | | 2 |
| | 00-854059 | Left Hand Steam Test Tube Bottom | | 1 | |
| 34 | 00-851068 | Probe - Low Level Cut Off | 1 | 2 | 2 |
| 35 | 00-851067 | Probe - Low Level | 1 | 2 | 2 |
| 36 | 00-851066 | Probe - High Level | 1 | 2 | 2 |
| 37 | 00-855097 | Generator Tank - Top | 1 | 1 | 1 |
| 38 | 00-850011 | Union Connector 1/2 C | 1 | 2 | 2 |
| 39 | 00-855142 | Plug 3/4 | 1 | 2 | 2 |
| 40 | 00-855143 | Tee 3/4 | 1 | 2 | 2 |
| 41 | 00-855144 | Down Tube | 1 | 2 | 2 |
| 42 | 00-855145 | Close Nipple 3/4 | 1 | 2 | 2 |
| 43 | 00-854470 | Relief Valve 5 psi | 1 | 2 | 2 |
| 44 | 00-855146 | Nipple 3/4 x 2 1/2 | 1 | 2 | 2 |
| 45 | 00-855147 | Elbow 3/4 | 1 | 2 | 2 |
| *46 | 00-851254 | Steam Diverter | 2 | 4 | 4 |
| *47 | 00-844401 | Thermostat Fitting 3/8 C x 3/8 MPT | 1 | 2 | 2 |
| *48 | 00-850015 | Water Connection 3/8 C | 2 | 2 | 2 |
| *49 | 00-850012 | Elbow - 1/2 C Tank Left Hand | 1 | 2 | 2 |
| *50 | 00-840499 | Pan Rack - 3 Pan | | 2 | |
| | 00-843859 | Pan Rack - 4 Pan | | 2 | |
| | 00-843860 | Pan Rack - 5 Pan | 2 | | 4 |
| *51 | 00-840495 | Perforated Door Trough | 1 | 1 | 1 |
| *52 | 00-851073 | Right Hand Side Panel | | 1 | |
| | 00-851074 | Right Hand Side Panel | | 1 | |
| | 00-851075 | Right Hand Side Panel | | | 1 |
| *53 | 00-855148 | Left Hand Side Panel | 1 | | |
| | 00-855149 | Left Hand Side Panel | | 1 | |
| | 00-855150 | Left Hand Side Panel | | | 1 |
| *54 | 00-851805 | Top Cover | 1 | 1 | 1 |
| *55 | 00-855151 | Flue Assembly | | 1 | 1 |
| | 00-855152 | Flue Assembly | 1 | | |
| *56 | 00-853966 | Right Hand Side Riser | 1 | 1 | 1 |
| *57 | 00-853965 | Left Hand Side Riser | 1 | 1 | 1 |
| *58 | 00-853964 | Front Side Riser | 1 | 1 | 1 |
| *59 | 00-853963 | Rear Side Riser | 1 | | |
| *60 | 00-853962 | Rear Side Riser | | 1 | 1 |
| *61 | 00-853957 | Fuse Holder | 1 | 2 | 2 |
| *62 | 00-853974 | Fuse 2A 250 V (120 V only) | 1 | 2 | 2 |
| | 00-851929 | Fuse 1A 250 V (220 V only) | 1 | 2 | 2 |
| *63 | 00-855153 | Wire Harness | 1 | 2 | 2 |
| *64 | 00-844367-00056 | Transformer, Glow Coil | 1 | 2 | 2 |
| *65 | 00-854051 | Wire Harness (DSI Ignition Board to Relay) | 1 | 2 | 2 |
| | 00-844367-00060 | Wire Harness (Glow Coil Ignition Module) | 1 | 2 | 2 |

* NOT SHOWN

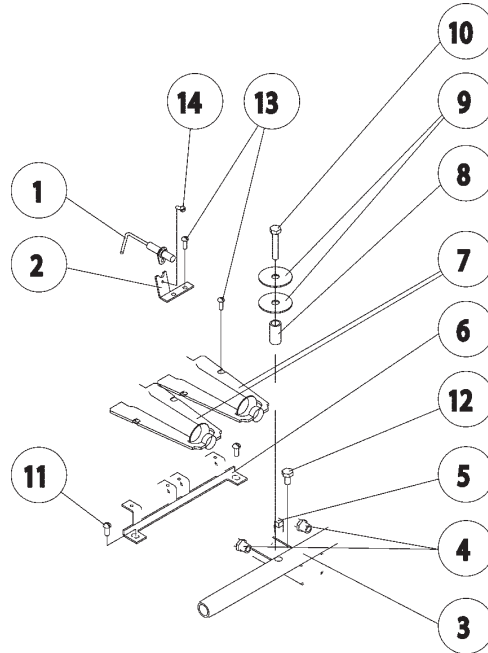
** SELECTAS REQUIRED

DOOR ASSEMBLY



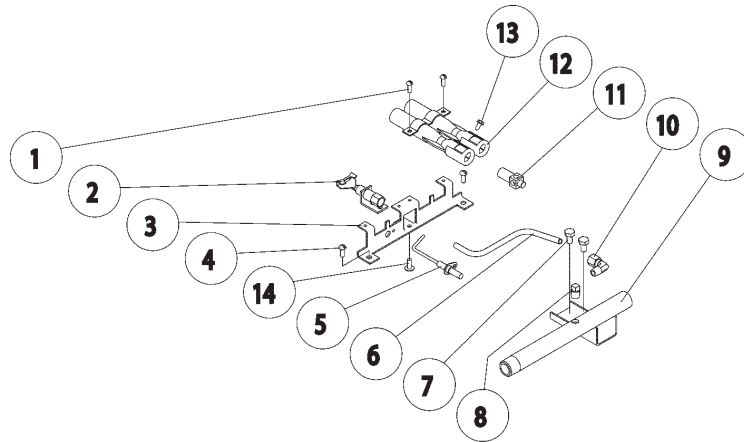
| ILLUS. PL-4476-2R1 | PART NO. | NAME OF PART | AMOUNT | | |
|-----------------------|-----------|--|--------|-------|--------|
| | | | VSX5G | VSX7G | VSX10G |
| 1 | 00-845586 | Door Frame | 1 | | 2 |
| | 00-845585 | Door Frame, Bottom | | 1 | |
| | 00-844192 | Door Frame, Top | 1 | | |
| 2 | 00-844193 | Door Handle Assembly | 1 | 2 | 2 |
| | 00-850193 | Door Handle Decal | 1 | 2 | 2 |
| 3 | 00-844194 | Latch Assembly | 1 | 2 | 2 |
| 4 | 00-840479 | Bushing | 4 | 8 | 8 |
| 5 | 00-850447 | Spacer | 2 | 4 | 4 |
| 6 | 00-850658 | Door Panel | 1 | | 2 |
| | 00-845587 | Door Panel, Bottom | | 1 | |
| | 00-844195 | Door Panel, Top | | 1 | |
| 7 | 00-844385 | Door Gasket, 5 Pan | 1 | | 2 |
| | 00-844384 | Door Gasket, Bottom 4 Pan | | 1 | |
| | 00-844196 | Door Gasket, Top 3 Pan | | 1 | |
| 8 | 00-851418 | Gasket Plate, 5 Pan | 1 | | 2 |
| | 00-851417 | Gasket Plate, Bottom 4 Pan | | 1 | |
| | 00-851224 | Gasket Plate, Top 3 Pan | | 1 | |
| 9 | 00-844453 | Gasket Panel Screws, 10 - 32 x 1/2 SST | 8 | 14 | 16 |
| | 00-845584 | Door Assembly, 5 Pan | 1 | | 2 |
| 10 | 00-845583 | Door Assembly, Bottom 4 Pan | | 1 | |
| | 00-844191 | Door Assembly, Top 3 Pan | | 1 | |

**BURNER PARTS - NATURAL GAS ONLY, DIRECT SPARK
NATURAL OR PROPANE, GLOW COIL**



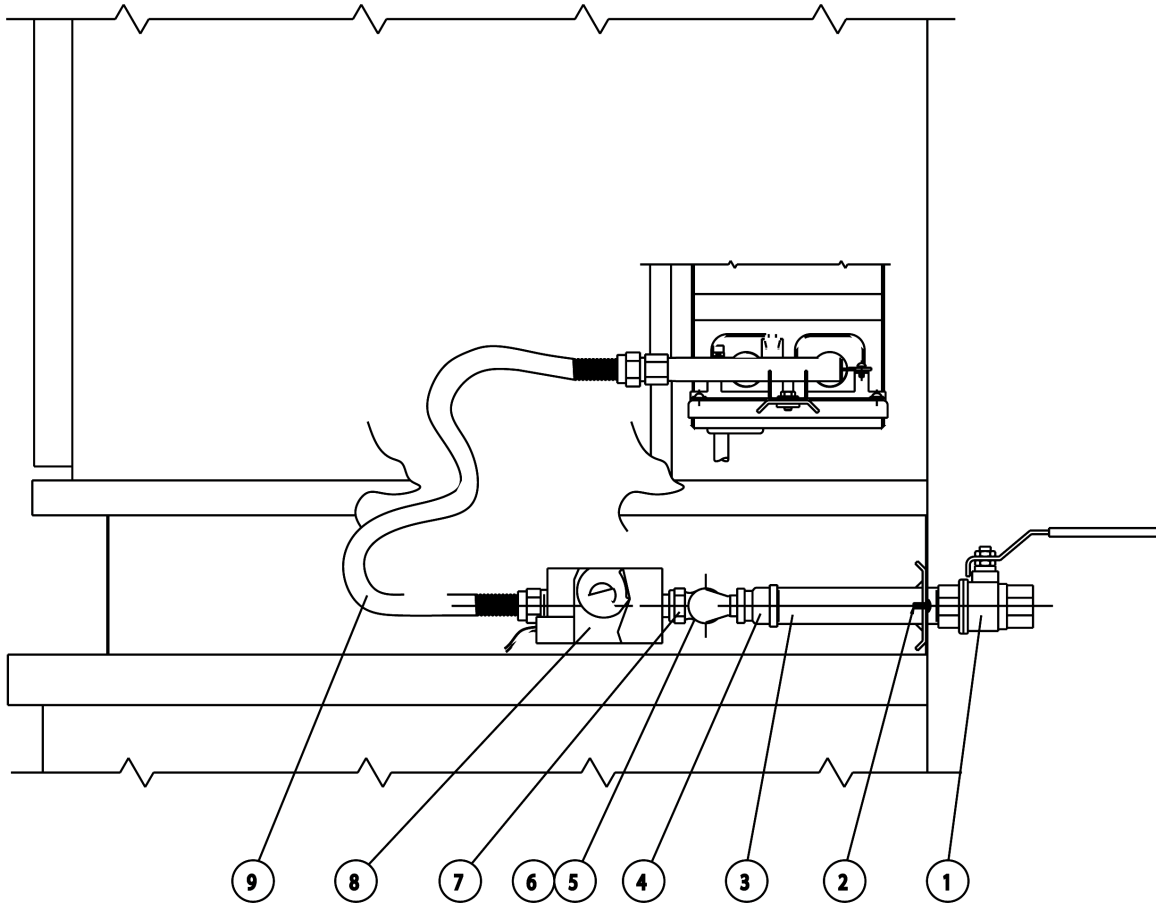
| ILLUS. PL-4476-2R1 | PART NO. | NAME OF PART | AMOUNT | | |
|-----------------------|-----------------|--------------------------------------|--------|-------|--------|
| | | | VSX5G | VSX7G | VSX10G |
| 1 | 00-853487 | Spark Electrode, Direct Spark | 1 | 2 | 2 |
| | 00-844367-00066 | Sensor Frame, Glow Coil | 1 | 2 | 2 |
| 2 | 00-853970 | Spark Electrode Bracket | 1 | 2 | 2 |
| | 00-851059 | Sensor Bracket, Glow Coil | 1 | 2 | 2 |
| 3 | 00-855154 | Gas Manifold Assembly | 1 | 2 | 2 |
| 4 | 00-851053 | Orifice #43 | 2 | 4 | 4 |
| 5 | 00-854334 | Plug 1/8 NPT | 1 | 2 | 2 |
| 6 | 00-851057 | Burner Mounting Bracket | 1 | 2 | 2 |
| 7 | 00-851058 | Burner | 2 | 4 | 4 |
| 8 | 00-853967 | Burner Support | 1 | 2 | 2 |
| 9 | 00-854335 | Finer Washer 1/4 | 2 | 4 | 4 |
| 10 | 00-854336 | Hex Cap Screw 1/4 - 20 x 1 1/2 | 1 | 2 | 2 |
| 11 | 00-855155 | Machine Screw 10 - 32 x 3/8 | 2 | 4 | 4 |
| 12 | 00-855156 | Machine Screw 1/4 - 20 x 1/4 | 1 | 2 | 2 |
| | 00-855157 | Lock Washer 1/4 | 1 | 2 | 2 |
| 13 | 00-855158 | Machine Screw 8 - 32 x 3/8 | 4 | 8 | 8 |
| | 00-855159 | Machine Screw 6 - 32 x 3/8 | 1 | 2 | 2 |
| *15 | 00-851060 | Coil, Glow | 1 | 2 | 2 |

BURNER PARTS - PROPANE GAS ONLY



| ILLUS. PL-4476-2R1 | PART NO. | NAME OF PART | AMOUNT | | |
|-----------------------|-----------|------------------------------------|--------|-------|--------|
| | | | VSX5G | VSX7G | VSX10G |
| 1 | 00-855160 | Hex Screw 10 - 32 x 1/4 | 4 | 8 | 8 |
| 2 | 00-854847 | Pilot Burner | 1 | 2 | 2 |
| 3 | 00-854848 | Burner Mounting Bracket | 1 | 2 | 2 |
| 4 | 00-855161 | Machine Screw | 2 | 4 | 4 |
| 5 | 00-854849 | Spark Electrode | 1 | 2 | 2 |
| 6 | 00-854848 | Pilot Tube | 1 | 2 | 2 |
| 7 | 00-855156 | Machine Screw 1/4 - 20 x 1/2 | 2 | 4 | 4 |
| 8 | 00-854334 | Plug 1/8 NPT | 1 | 2 | 2 |
| 9 | 00-854844 | Gas Manifold Assembly | 1 | 2 | 2 |
| 10 | 00-850010 | Elbow 1/4 C X 1/8 MPT | 1 | 2 | 2 |
| 11 | 00-854852 | Orifice #63 | 4 | 8 | 8 |
| 12 | 00-854846 | Twin Burners | 2 | 4 | 4 |
| 13 | 00-855162 | Sheet Metal Screw | 4 | 8 | 8 |
| 14 | 00-855163 | Machine Screw | 2 | 4 | 4 |

VSX5G BURNER SYSTEM

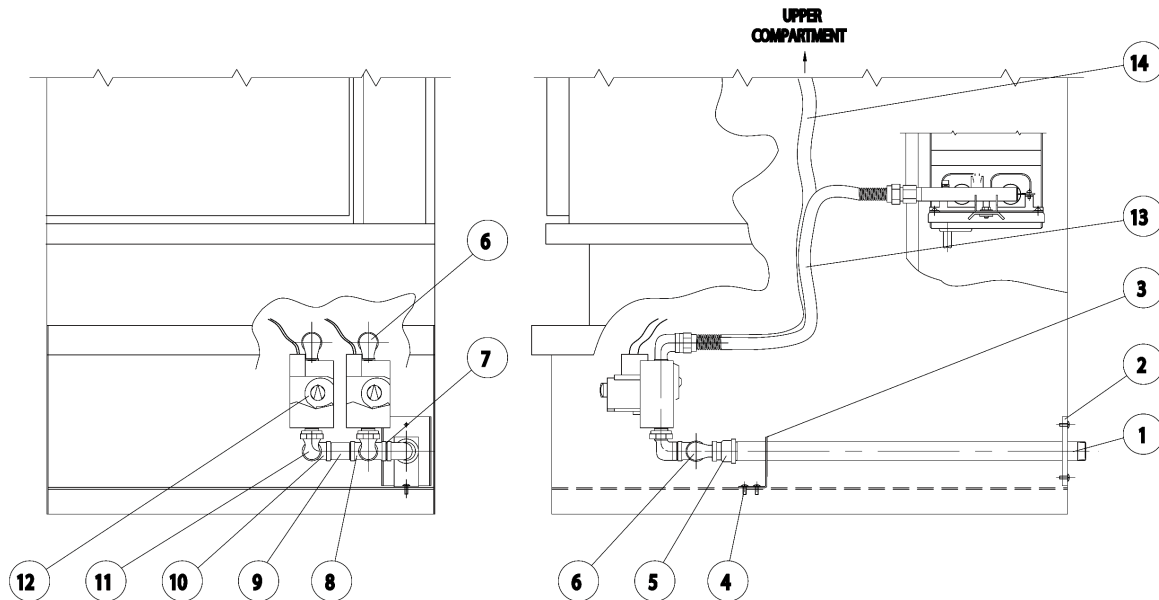


5196AR0

| ILLUS. | PART NO. | NAME OF PART | AMOUNT |
|--------|-----------------|---|--------------|
| | | | VSX5G |
| 1 | 00-840522 | Ball Valve 3/4" | 1 |
| 2 | 00-854337 | Screw, #10 - 32 x 12 | 2 |
| 3 | 00-854338 | Gas Supply Pipe Assembly | 1 |
| 4 | 00-851526 | Reducing Coupling | 1 |
| 5 | 00-854339 | 90 Degree Street Elbow | 1 |
| 6 | 00-851782 | Close Nipple 1/2" | 1 |
| 7 | 00-842904 | Union Elbow 1/2" | 1 |
| **8 | 00-853401-00001 | Combination Gas Control - Natural | 1 |
| | 00-853401-00002 | Combination Gas Control - Propane | 1 |
| 9 | 00-853976 | Flex Tube, 1/2" x 18 | 1 |

** Select As Required

VSX7G & VSX10G BURNER SYSTEM

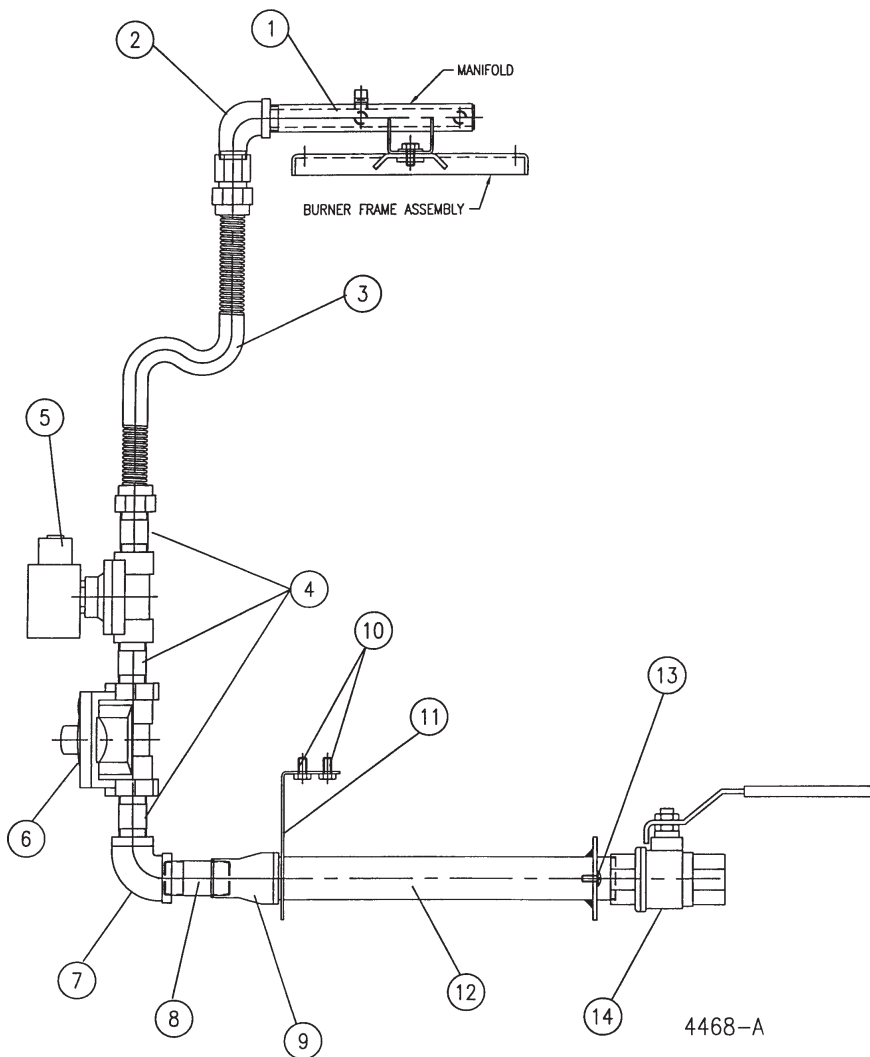


5194AR0

| ILLUS. | PART NO. | NAME OF PART | AMOUNT | |
|-------------|-----------------|---|--------|--------|
| | | | VSX7G | VSX10G |
| | | | | |
| PL- 5194AR0 | | | | |
| 1 | 00-854340 | Gas Supply Pipe Assembly | 1 | 1 |
| 2 | 00-854337 | Screw, #10 - 32 x 2 | 2 | 2 |
| 3 | 00-855164 | Bracket | 1 | |
| | 00-854342 | Bracket, VSX7G | | 1 |
| 4 | 00-854343 | Screw, 1/4" - 20 x 2 | 2 | 2 |
| 5 | 00-851526 | Reducing Coupling 3/4" x 1/2" | 1 | 1 |
| 6 | 00-854339 | 90 Degree Street Elbow, 1/2" | 3 | 3 |
| 7 | 00-851782 | Close Nipple, 1/2" | 3 | 3 |
| 8 | 00-854344 | Tee, 1/2" x 1/2" x 1/2" | 1 | 1 |
| 9 | 00-854345 | Nipple, 1/2 x 2 | 1 | 1 |
| 10 | 00-854346 | 90 Degree Elbow, 1/2" | 1 | 1 |
| 11 | 00-842904 | Union Elbow, 1/2" | 2 | 2 |
| **12 | 00-853401-00001 | Combination Gas Control - Natural | 2 | 2 |
| | 00-853401-00002 | Combination Gas Control - Propane | 2 | 2 |
| 13 | 00-853484 | Flex Tube, 1/2" x 36" | 1 | 1 |
| 14 | 00-853485 | Flex Tube, 1/2" x 48" | 1 | 1 |

** Select As Required

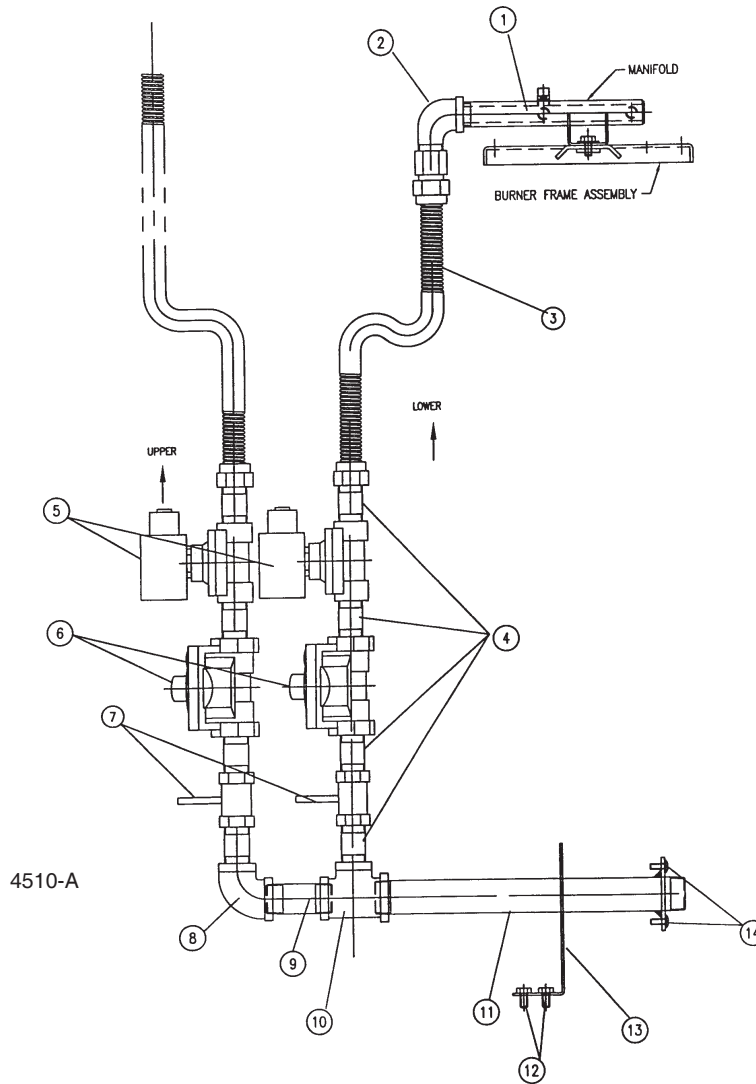
VSX5G GLOW COIL IGNITION BURNER SYSTEM



| ILLUS. | PART NO. | NAME OF PART | AMOUNT |
|--------|-----------------|--|--------------|
| | | | VSX5G |
| 1 | 00-851052 | Manifold | 1 |
| 2 | 00-854339 | St. Elbow | 1 |
| 3 | 00-850152 | Gas Flex Hose | 1 |
| 4 | 00-851782 | Close Nipple 1/2 | 3 |
| 5 | 00-844367-00049 | Solenoid Valve | 1 |
| **6 | 00-844367-00047 | Gas Pressure Regulator - Natural | 1 |
| | 00-844367-00048 | Gas Pressure Regulator - Propane | 1 |
| 7 | 00-854346 | Elbow 1/2 | 1 |
| 8 | 00-854345 | Nipple 1/2 x 2 | 1 |
| 9 | 00-851526 | Red Coupling 1/2 x 3/4 | 1 |
| 10 | 00-854343 | Screw 1/4-20 x 1/2 | 2 |
| 11 | 00-855165 | Bracket | 1 |
| 12 | 00-855166 | Supply Pipe Assembly | 1 |
| 13 | 00-854337 | Screw 10-32 x 1/2 | 2 |
| 14 | 00-840522 | Ball Valve 3/4" | 1 |

** Select As Required

VSX7G & VSX10G GLOW COIL IGNITION BURNER SYSTEM



| ILLUS. | PART NO. | NAME OF PART | AMOUNT | |
|--------|-----------|--|--------|--------|
| | | | VSX7G | VSX10G |
| 1 | 851052 | Manifold | 2 | 2 |
| 2 | 854339 | St. Elbow | 2 | 2 |
| 3 | 850152 | Gas Flex Hose | 2 | 2 |
| 4 | 851782 | Close Nipple 1/2 | 8 | 8 |
| 5 | 844367-49 | Solenoid Valve | 2 | 2 |
| *6 | 844367-47 | Gas Pressure Regulator - Natural | 2 | 2 |
| | 844367-48 | Gas Pressure Regulator - Propane | 2 | 2 |
| 7 | 844367-59 | Gas Shut Off Valve 1/2 | 2 | 2 |
| 8 | 854346 | Elbow | 1 | 1 |
| 9 | 854345 | Nipple 1/2 x 2 | 1 | 1 |
| 10 | 855167 | Tee | 1 | 1 |
| 11 | 855166 | Supply Pipe Assembly | 1 | 1 |
| 12 | 854343 | Screw 1/4-20 x 1/2 | 2 | 2 |
| 13 | 854342 | Bracket | 1 | 1 |
| 14 | 854337 | Screw 10-32 x 1/2 | 2 | 2 |

** Select As Required

**RECOMMENDED SPARE PARTS
VSX5, VSX7, VSX10 GAS UNITS
STARTING WITH AP IN SERIAL NUMBER**

| PART NO. | NAME OF PART | AMT. |
|-----------------|------------------------------------|------|
| 00-853487 | Natural Spark Electrode | 2 |
| 00-854847 | L.P. Pilot Assy. | 2 |
| 00-853401-00001 | Honeywell Nat. Vavle | 2 |
| 00-853401-00002 | Honeywell L.P. Valve | 2 |
| 00-855456 | Power Switch | 2 |
| 00-842049 | Door Switch | 2 |
| 00-411690-00001 | Timer 60 Minute | 2 |
| 00-853486 | Ignition Module Direct Spark | 2 |
| 00-836931 | Auto Blowdown Solenoid | 2 |
| 00-853339 | Compartment Solenoid Valve | 2 |
| 00-843947 | Relay | 2 |
| 00-854470 | Pop Off Valve 5 Lb. | 2 |